

3-WAY TRUNNION CLASS 150 FLANGED BALL VALVE

JV-9308

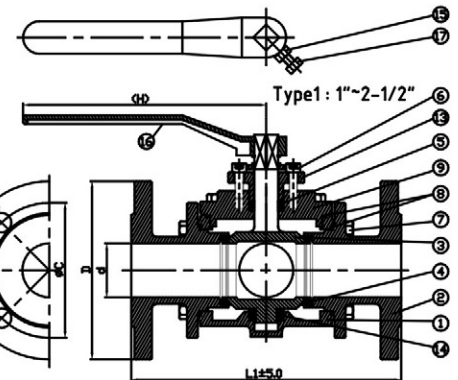
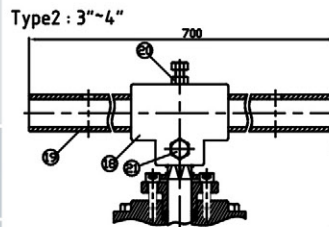
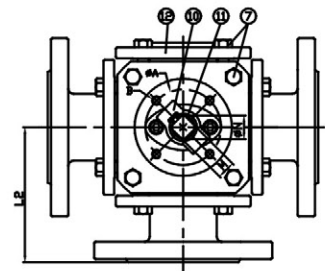
Feature	Square Stem, 360° Rotation Trunnion Ball Design
Port Bore	Full Bore, T-port & L-port Available
Design	ASME B16.34
Material	S/S; EN10213-4:1.4408; ASTM A351-CF8M C/S; EN10213-2:1.0619; ASTM A216-WCB
Flange	B16.5: ANSI-Class 150
Testing	According to EN12266-1,2 (API-598)
Certificate	EN10204-3.1
Temp.	-20° C to 200° C (-4° F to 392° F)
Seat	PTFE (Virgin Pure PTFE)
Stem	AISI 316 Blow-out Proof Square Stem
Options	Gear Operator or Pneumatic Actuator



MATERIAL LIST

NO	PART	MATERIAL	
1	Body	CF8M = 1.4408	
2	Flange Cap	CF8M = 1.4408	
3	Trunnion Ball	CF8M = 1.4408	
4	Seat	PTFE	
5	Stem Packing	PTFE	
6	Socket Head Cap Screws	A2 = A193-B8 = SUS 304	
7	Hex Cap Screws	A2 = A193-B8 = SUS 304	
8	Body Seal	PTFE	
9	Top Cap	CF8M = 1.4408	
10	Stop Plate	AISI 304 = 1.4301	
11	Retaining Rings For Shafts	AISI 304 = 1.4301	
12	Side Cap	CF8M = 1.4408	
13	Gland	AISI 304 = 1.4301	
14	Stem Bearing	PTFE	
15	Nuts	A2 = A194-8 = SUS 304	
16	Handle	CF8 = 1.4308	Type 1
17	Hex Cap Screws	AISI 304 = 1.4301	
18	Connector	AISI 304 = 1.4301	
19	Handle	AISI 304 = 1.4301	Type 2
20	Nuts	A2 = A194-8 = SUS 304	
21	Hex Cap Screws	A2 = A193-B8 = SUS 304	

Port Type	1	2	3	4
L				
T				



DIMENSIONS (mm)

SIZE	ISO-5211		C	D	H	L1	L2	M	N	d	h	n	WT (KG)		
	A	B											L-Port	T-Port	
1"	F05	50	M6	79.4	108	172	214	107	14	18	25	15.9	4	8.32	8.06
1-1/2"	F05	50	M6	98.4	127	172	242	121	17	22	40	15.9	4	13.47	13.39
2"	F07	70	M8	120.6	152	225	250	125	17	22	50	19	4	20.01	19.89
2-1/2"	F10	102	M10	139.7	178	225	285	142.5	22	28	65	19	4	28.43	28.50
3"	F10	102	M10	152.4	190	335	295	147.5	22	28	76	19	4	41.33	40.94
4"	F10	102	M10	190.5	229	335	339	169.5	22	28	100	19	8	61.24	60.74