

3PC MOUNT-DIRECT BALL VALVE



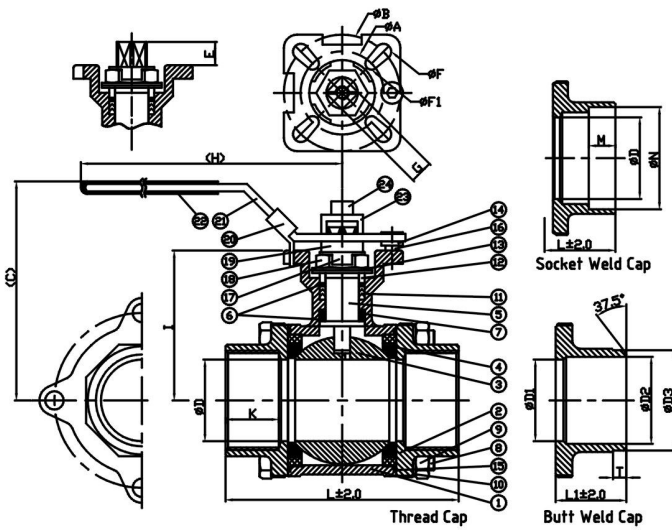
JV-3MB

Feature	ISO-5211 for Direct Mounting Disc-Spring Loaded DIN3202-M3 Length
Port Bore	Full Bore
End	NPT, BSPT, ISO-228 Thread, Socket Weld, Butt Weld
Material	S/S; EN10213-4:1.4408; ASTM A351-CF8M C/S; EN10213-2:1.0619; ASTM A216-WCB
Pressure	1000PSI (PN63) for 1/2" to 1-1/2" 1000PSI (PN40) for 2" to 3"
Testing	According to API-598 (EN12266-1,2)
Certificate	EN10204-3.1
Temp.	-20 °C to 200 °C (-4 °F to 392 °F)
Seat/Seal	PTFE 15% GF (Reinforced Glassfiber) / PTFE
Stem	AISI 316 Blow-out Proof
Options	Padlocking Device Electric or Pneumatic Actuators Anti-Static Device T-Clamp End



MATERIAL LIST

NO	PART	MATERIAL
1	Body	CF8M = 1.4408 WCB = 1.0619
2	Cap	CF8M = 1.4408 WCB = 1.0619
3	Ball(Relief Hole)	CF8M = 1.4408
4	Seat	PTFE 15% GF
5	Stem(Anti-Static)	AISI 316 = 1.4401
6	Lower Thrust Washer	50%S.S+50%PTFE
7	Upper Thrust Washer	TFM 1600
8	Bolt	A2 = A193-B8 = SUS 304
9	Nuts	A2 = A194-8 = SUS 304
10	Spring Washer	AISI 304 = 1.4301
11	Stem Packing	PTFE
12	Gland Ring	AISI 304 = 1.4301
13	Belleville Disc	AISI 301 = 1.4310
14	Socket Head Cap Screws	A2 = A193-B8 = SUS 304
15	Body Seal	PTFE
16	Spring Washer	AISI 304 = 1.4301
17	Nut Stopper	AISI 304 = 1.4301
18	Stem Nuts	A2 = A194-8 = SUS 304
19	Ring Washer	AISI 304 = 1.4301
20	Locking Device	AISI 304 = 1.4301
21	Handle	AISI 304 = 1.4301
22	Handle Sleeve	PVC
23	Handle Ring	AISI 304 = 1.4301
24	Socket Head Cap Screws	A2 = A193-B8 = SUS 304



DIMENSIONS (mm)

SIZE	ISO 5211		C	D	D1	D2	D3	T	E	ΦF	ΦF1	G	H	K	L	L1	I	M	N	WT (KG)		
	ΦA	ΦB																		Thread	BW	SW
1/2"	F03/F04	36 42	70	15	15	15.7	21.3	5	9	6	6	9	138	22	75	75	41	10	22	0.71	0.69	0.71
3/4"	F03/F04	36 42	73	20	20	21	26.9	6	9	6	6	9	138	21.5	80	90	44	13	27.3	0.86	0.86	0.85
1"	F04/F05	42 50	95	25	25	26.8	33.7	6	11	7	6	11	163	22.6	90	100	59	13	34.1	1.31	1.34	1.31
1-1/4"	F04/F05	42 50	98	32	32	35.1	42.4	8	11	7	6	11	163	28.5	110	110	63	13	42.8	1.86	1.82	1.87
1-1/2"	F05/F07	50 70	125	38	38	40.5	48.3	8	14	9.5	7.5	14	195	28.5	120	125	82	13	48.9	3.10	3.00	3.01
2"	F05/F07	50 70	133	49	49	52.3	60.3	8	14	9.5	7.5	14	195	32	140	150	90	16	61.4	3.98	4.65	4.58
2-1/2"	F07/F10	70 102	175	65	65.5	62.5	73	12	17	12	10	17	265	38	185	190	118	16	77.1	10.70	9.04	12.23
3"	F07/F10	70 102	185	80	80.5	77.5	88.9	12	17	12	10	17	265	40	205	220	128	16	90	11.77	15.07	15.09