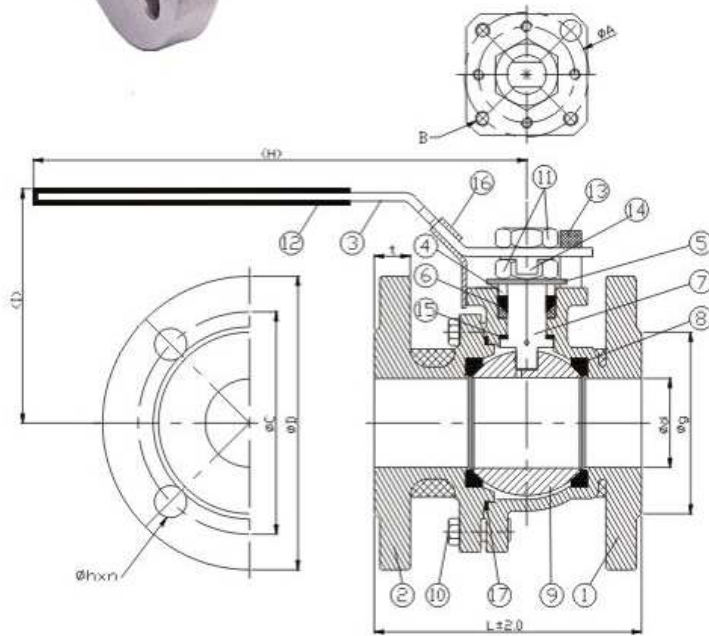


2PC HEAVY-DUTY PN16/PN40/CLASS 150/CLASS 300/API 6D/JIS10K FLANGED BALL VALVE

021

→ JV-2FH



JV-2FH

Feature	Disc-Spring Loaded Ball with Relief Hole ISO-5211 Top Flange
Port Bore	Full Bore
Design	EN 12516-1:2000 / ASME B16.34
Face-Face	EN 558-1 GR. 1/27 Length / ANSI B16.0
Material	S/S; EN 10213:1.4408; ASTM A351-CF8M C/S; EN 10213:1.0619; ASTM A216-WCB
Flange	EN 1092-1: PN16/PN40 ANSI B16.5 Class 150/300 / JIS 10K
Testing	According to EN 12266-1,2 (API-598)
Certificate	EN 10204-3.1
Temp.	-20°C to 200°C (-4°F to 392°F)
Seat/Seal	PTFE (Virgin Pure PTFE)
Stem	AISI 316 Blow-out Proof with Anti-Static Device
Options	Padlocking Device Gear Operator or Pneumatic Actuator Seat of TFM-1600 for Longer Life Cycles Graphite Seat/Gasket for API-607 4 Edition Firesafe Approved available



MATERIAL LIST

NO	PART	MATERIAL
1	Body	CF8M = 1.4408 WCB = 1.0619
2	Cap	CF8M = 1.4408 WCB = 1.0619
3	Handle	AISI 304 = 1.4301
4	Gland Ring	AISI 304 = 1.4301
5	Belleville Disc	AISI 301 = 1.4310
6	Stem Packing	PTFE/GRAPHITE
7	Stem (Anti-Static)	AISI 316 = 1.4401
8	Seat	PTFE
9	Ball (Relief Hole)	CF8M = 1.4408
10	Hex Cap Screws	A2 = A 193-B8 = SUS 304
10.1	Stud	A2 = A 193-B8 = SUS 304
10.2	Nuts	A2 = A 194-8 = SUS 304
11	Stem Nuts	A2 = A 194-8 = SUS 304
12	Handle Sleeve	PVC
13	Stop Pin	AISI 304 = 1.4301
14	Nut Stopper	AISI 304 = 1.4301
15	Thrust Washer	PTFE/GRAPHITE
16	Locking Device	AISI 304 = 1.4301
17	Body Seal	PTFE/GRAPHITE

PN16

DIMENSIONS (mm)	SIZE		ISO-5211		d	D	C	g	t	h	n	H	I	L		WT (KG)	
	INCH	MM	A	B										GR1	GR27	GR1	GR27
	2"	50	F07	M8	50	165	125	102	18	18	4	278	136	230	150	12.28	9.74
	2-1/2"	65	F07	M8	65	185	145	122	18	18	8	278	150	290	170	15.64	14.10
	3"	80	F10	M10	80	200	160	138	20	18	8	375	185	310	180	22.85	20.45
	4"	100	F10	M10	100	220	180	158	20	18	8	375	200	350	190	30.03	26.23

PN40

DIMENSIONS (mm)	SIZE		ISO-5211		d	D	C	g	t	h	n	H	I	L		WT (KG)	
	INCH	MM	A	B										GR1	GR27	GR1	GR27
	1/2"	15	F04	M5	15	95	65	45	16	14	4	165	86	130	115	2.43	2.32
	3/4"	20	F04	M5	20	105	75	58	18	14	4	165	92	150	120	3.18	3.05
	1"	25	F05	M6	25	115	85	68	18	14	4	176	106	160	125	4.58	4.30
	1-1/4"	32	F05	M6	32	140	100	78	18	18	4	215	114	180	130	6.45	6.01
	1-1/2"	40	F05	M6	38	150	110	88	18	18	4	215	116	200	140	7.48	6.95
	2"	50	F07	M8	50	165	125	102	20	18	4	278	136	230	150	12.32	11.40
	2-1/2"	65	F07	M8	65	185	145	122	22	18	8	278	150	290	170	16.92	15.16
	3"	80	F10	M10	80	200	160	138	24	18	8	375	185	310	180	24.08	22.01
	4"	100	F10	M10	100	235	190	162	24	22	8	375	200	350	190	32.87	29.75