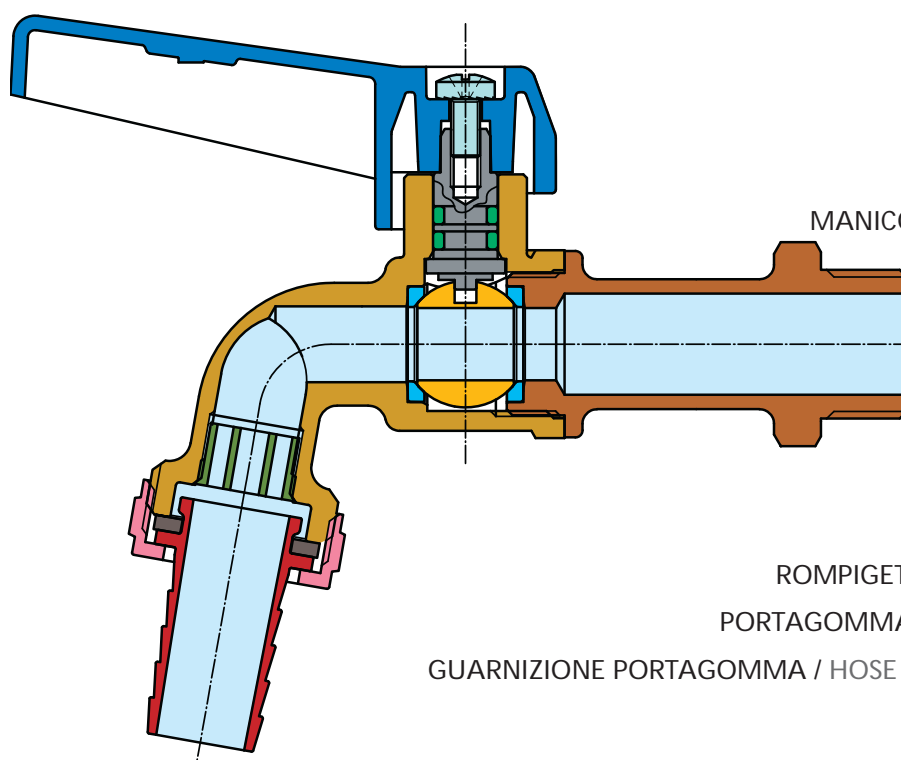


EKO

Rubinetto a sfera curvo

Angled ball cock

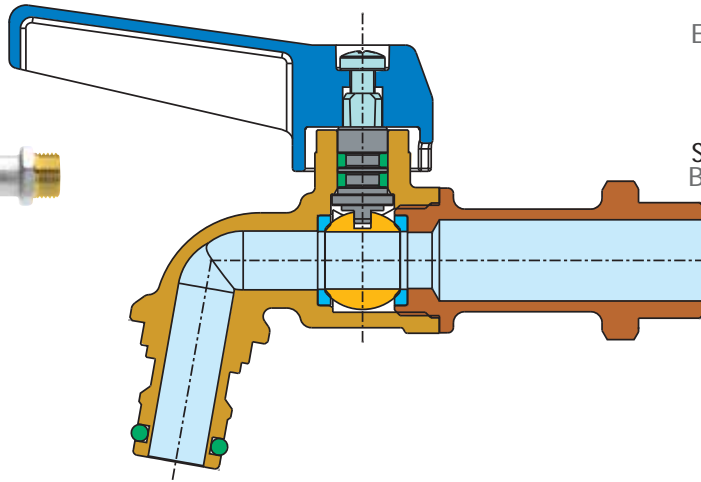
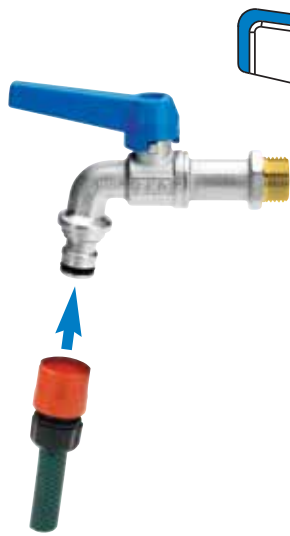




| | | |
|--|----|--|
| CORPO / BODY | 1 | |
| MANICOTTO / END ADAPTER | 2 | |
| SFERA / BALL | 3 | |
| SEDI LATERALI BALL GASKETS | 4 | |
| PERNO / STEM | 5 | |
| O-RINGS / O-RINGS | 6 | |
| LEVA / LEVER | 7 | |
| VITE / SCREW | 8 | |
| ROMPIGETTO / FLOW STRAINER | 9 | |
| PORTAGOMMA / HOSE CONNECTOR | 10 | |
| GUARNIZIONE PORTAGOMMA / HOSE CONNECTOR GASKET | 11 | |
| GIRELLO / NUT | 12 | |

SPECIFICA MATERIALI / MATERIAL SPECIFICATION

| PARTICOLARI / COMPONENT | MATERIALI / MATERIAL | DESCRIZIONE / DESCRIPTION |
|--|--|--|
| 1 Corpo Body | CW 617 N UNI EN 12165 CW 617 N UNI EN 12165 | Stampato da barra, nichelato Nickel-plated forged brass |
| 2 Manicotto End adapter | CW 617 N UNI EN 12165 CW 617 N UNI EN 12165 | Stampato da barra, nichelato Nickel-plated forged brass |
| 3 Sfera Ball | CW 614 N UNI EN 12164 CW 614 N UNI EN 12164 | Da barra, nichel-cromat Nickel-chrome-plated forged brass |
| 4 Sedi laterali Ball gaskets | P.T.F.E. P.T.F.E. | Vergine Pure Teflon |
| 5 Perno Stem | CW 614 N UNI EN 12164 CW 614 N UNI EN 12164 | Da barra Forged brass |
| 6 O-Rings O-rings | NBR NBR | Gomma nera Black rubber |
| 7 Leva Lever | AL UNI5076 AL UNI 5076 | Plasticata azzurra Blue plastic-coated aluminium |
| 8 Vite Screw | Acciaio 8G 8G Steel | Zincata Zinc-plated steel |
| 9 Rompigetto Flow strainer | Resina PE PE Resin | Stampato Forged |
| 10 Portagomma Hose connector | CW 617 N UNI EN 12165 CW 617 N UNI EN 12165 | Pressofuso, nichelato Nickel-plated die-cast brass |
| 11 Guarnizioni portagomma Hose connector gasket | NBR NBR | Gomma nera, tranciata Black rubber, crack-off |
| 12 Girello Nut | CW 617 N UNI EN 12165 CW 617 N UNI EN 12165 | Stampato da barra, nichelato Nickel-plated forged brass |



- CORPO BODY 1
- MANICOTTO END ADAPTER 2
- SFERA BALL 3
- SEDI LATERALI BALL GASKETS 4
- PERNO STEM 5
- O-RINGS O-RINGS 6
- LEVA LEVER 7
- VITE SCREW 8

FILETTATURE

Estremità filettate ISO 228/1.

IMPIEGHI

Acqua fredda e calda, aria compressa, olii, fluidi non corrosivi, benzine.
Per impieghi particolari vedere la tabella delle resistenze chimiche.

PRESSIONE DI ESERCIZIO

Max PN16.

Vedere diagramma pressione/temperatura.

LIMITI DI TEMPERATURA

-5°C +90°C

Vedere diagramma pressione/temperatura.

NOTE:

In accordo alla UNI EN 13828 in presenza di acque aggressive per la lega di ottone, in ottemperanza alla UNI EN ISO 6509, è necessario l'utilizzo della lega di ottone CW602N. La produzione è disponibile su richiesta.

Le valvole a sfera della serie EKO sono realizzate in conformità alla EN 13828.

END CONNECTIONS

Ends are ISO 228/1 threaded.

APPLICATIONS

Hot and cold water, compressed air, oils, non corrosive fluids, fuels.
For any special uses see the table of chemical resistance.

WORKING PRESSURE

Max PN 16.

See pressure/temperature diagram.

TEMPERATURE LIMITS

-5°C + 90°C

See pressure/temperature diagram.

NOTE:

According to UNI EN 13828 in presence of water which could be aggressive for brass alloy, as agree with UNI EN ISO 6509 standard, is necessary the brass alloy CW602N. The manufacture is available on request.

EKO ball valves are manufactured in accordance with EN 13828 standard.

Diagramma pressione/temperatura

(prova eseguita con acqua)

Pressure/temperature diagram

(test carried out with water)

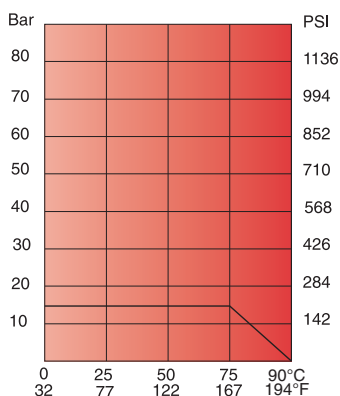
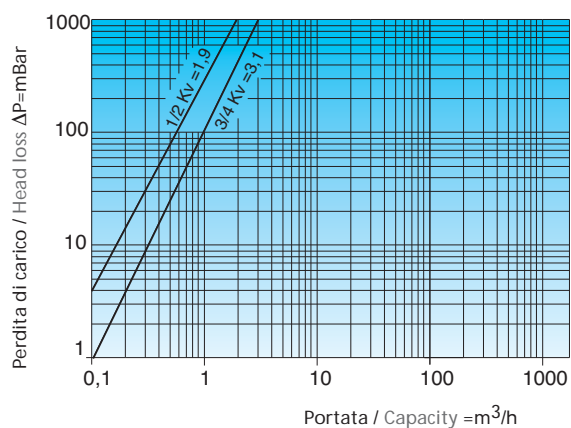


Diagramma perdite di carico

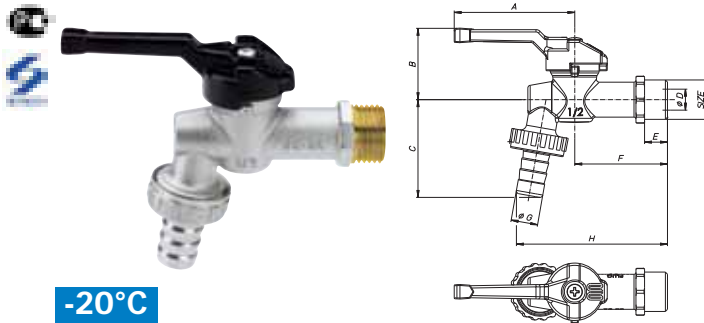
Loss of head diagram



EKO

Rubinetto a sfera curvo Angled ball cock

Art. S.0070 EKO•PLUG ANTIGELO / ANTIFREEZE

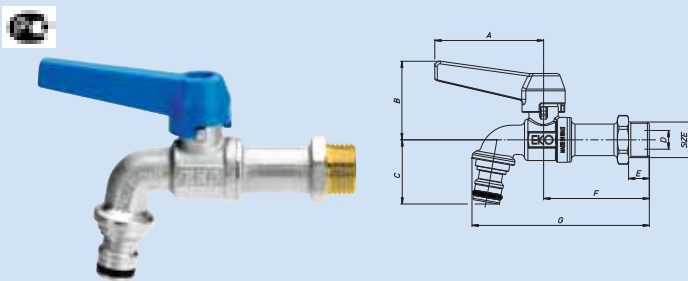


-20°C

Rubinetto curvo con otturatore a vela e portagomma, fil. maschio, nichelato.
Angled ball bib cock, with plastic plug and hose connector, nickel-plated.

| SIZE | 1/2" | | | | | | | | |
|-----------------|------|--|--|--|--|--|--|--|--|
| øA mm | 63 | | | | | | | | |
| B mm | 36,9 | | | | | | | | |
| C mm | 51,1 | | | | | | | | |
| øD pass./bore | 10 | | | | | | | | |
| E mm | 12 | | | | | | | | |
| F mm | 48,5 | | | | | | | | |
| øG mm | 14 | | | | | | | | |
| H mm | 82,5 | | | | | | | | |
| SW mm | 25 | | | | | | | | |
| Peso/Weight gr. | 165 | | | | | | | | |

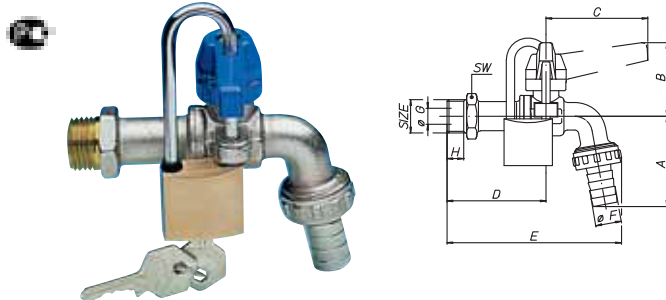
Art. S.0071 EKO•MATIC



Rubinetto a sfera curvo, fil. maschio con leva, con **attacco rapido**, nichelato.
Angled ball bib cock, male threaded with lever, with **quick fit**, nickel-plated.

| SIZE | 1/2" | | | | | | | | |
|-----------------|------|--|--|--|--|--|--|--|--|
| øA mm | 63 | | | | | | | | |
| B mm | 45,5 | | | | | | | | |
| C mm | 37,5 | | | | | | | | |
| øD pass./bore | 10 | | | | | | | | |
| E mm | 12 | | | | | | | | |
| F mm | 61,2 | | | | | | | | |
| G mm | 103 | | | | | | | | |
| SW mm | 25 | | | | | | | | |
| Peso/Weight gr. | 257 | | | | | | | | |

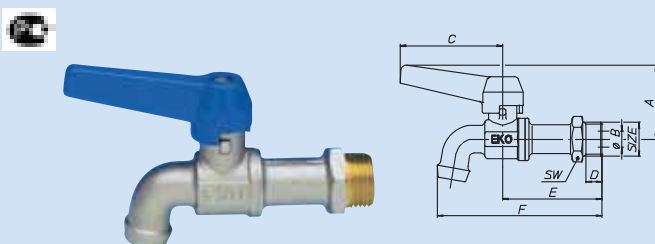
Art. S.0074 EKO



Rubinetto a sfera curvo con fil. maschio portagomma, con leva, **con lucchetto**, nichelato.
Angled ball bib cock with male thread and hose connector, **with lever**, with padlock, nickel-plated.

| SIZE | 1/2" | 3/4" | | | | | | | |
|-----------------|------|-------|--|--|--|--|--|--|--|
| A mm | 57 | 65 | | | | | | | |
| B mm | 45,5 | 47,5 | | | | | | | |
| C mm | 63 | 63 | | | | | | | |
| D mm | 61,2 | 65,65 | | | | | | | |
| E mm | 108 | 122 | | | | | | | |
| øF mm | 16 | 19,5 | | | | | | | |
| øG pass./bore | 10 | 12,5 | | | | | | | |
| SW mm | 25 | 30 | | | | | | | |
| Peso/Weight gr. | 375 | 500 | | | | | | | |

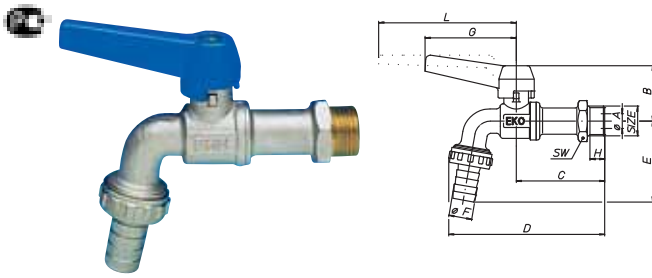
Art. S.0080 EKO



Rubinetto a sfera curvo fil. maschio, con leva in alluminio, nichelato.
Angled ball bib cock with male thread, with handle in aluminium, nickel-plated.

| SIZE | 1/2" | 3/4" | | | | | | | |
|-----------------|------|-------|--|--|--|--|--|--|--|
| A mm | 45,5 | 47,5 | | | | | | | |
| øB pass./bore | 10 | 12,5 | | | | | | | |
| C mm | 63 | 63 | | | | | | | |
| D mm | 12 | 14 | | | | | | | |
| E mm | 61,2 | 65,65 | | | | | | | |
| F mm | 101 | 113 | | | | | | | |
| SW mm | 25 | 30 | | | | | | | |
| Peso/Weight gr. | 224 | 333 | | | | | | | |

Art. S.0082 EKO

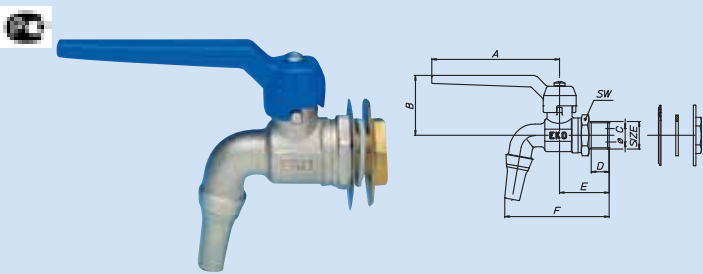


Su richiesta disponibile filettatura NPT.
Available on request NPT threads.

Rubinetto a sfera curvo, fil. maschio con leva, nichelato.
Angled ball bib cock, male threaded with lever, nickel-plated.

| SIZE | 3/8" | 1/2" | 3/4" | 1" | | | | | |
|-----------------|------|------|-------|------|--|--|--|--|--|
| øA pass./bore | 10 | 10 | 12,5 | 17,5 | | | | | |
| B mm | 44,5 | 45,5 | 47,5 | 46,5 | | | | | |
| C mm | 53 | 61,2 | 65,65 | 83,5 | | | | | |
| D mm | 95 | 108 | 122 | 152 | | | | | |
| E mm | 50 | 57 | 65 | 79 | | | | | |
| øF mm | 14,5 | 16 | 19,5 | 27 | | | | | |
| G mm | 63 | 63 | 63 | - | | | | | |
| H mm | 10 | 12 | 14 | 15,5 | | | | | |
| L mm | - | - | - | 95 | | | | | |
| SW mm | 20 | 25 | 30 | 37 | | | | | |
| Peso/Weight gr. | 199 | 254 | 363 | 610 | | | | | |

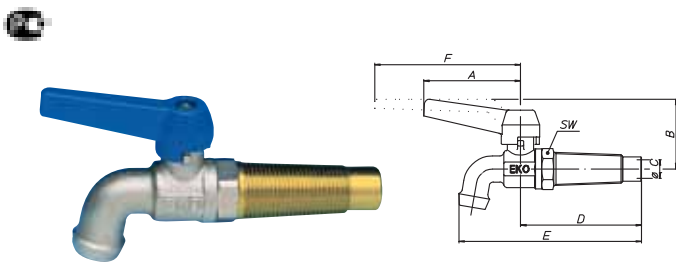
Art. S.0085 EKO



Rubinetto a sfera curvo con bocchello per botti in vetroresina completo, con leva lunga azzurra, nichelato.
Angled ball bib cock for wooden casks with a nozzle in glass-filled resin, with a long blue lever, nickel-plated.

| SIZE | 1/2" | 3/4" | 1" | | | | | | |
|-----------------|------|-------|------|--|--|--|--|--|--|
| A mm | 95 | 95 | 95 | | | | | | |
| B mm | 41 | 43 | 46,5 | | | | | | |
| øC pass./bore | 10 | 12,5 | 17,5 | | | | | | |
| D mm | 15 | 21 | 17 | | | | | | |
| E mm | 36,7 | 44,15 | 44 | | | | | | |
| F mm | 77,5 | 92,5 | 105 | | | | | | |
| SW mm | 27 | 33 | 40 | | | | | | |
| Peso/Weight gr. | 262 | 375 | 502 | | | | | | |

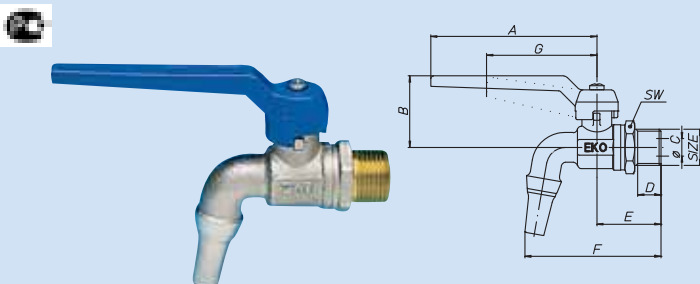
Art. S.0089 ENO•STOP



Rubinetto a sfera curvo per botte legno, nichelato.
Angled ball bib cock for wooden casks, nickel-plated.

| SIZE | mm 8 | mm 10 | mm 12 | mm 16 | mm 20 | | | | |
|-----------------|-------|-------|-------|-------|-------|--|--|--|--|
| A mm | 63 | 63 | 63 | 63 | - | | | | |
| B mm | 44,5 | 45,5 | 45,5 | 47,5 | 46,5 | | | | |
| øC pass./bore | 10 | 10 | 10 | 12,5 | 17,5 | | | | |
| D mm | 64,25 | 72,7 | 78,7 | 88,65 | 129 | | | | |
| E mm | 98,5 | 112,5 | 118,5 | 136 | 188 | | | | |
| F mm | - | - | - | - | 98 | | | | |
| SW mm | 22 | 24 | 24 | 27 | 34 | | | | |
| Peso/Weight gr. | 175 | 248 | 285 | 424 | 547 | | | | |

Art. S.0096 EKO



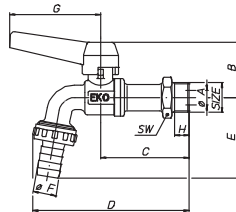
Rubinetto a sfera curvo fil. maschio con bocchello, con leva lunga azzurra, nichelato.
Angled ball bib cock, male threaded with nozzle, with a long blue lever, nickel-plated.

| SIZE | 3/8" | 1/2" | 3/4" | 1" | | | | | |
|-----------------|-------|------|-------|------|--|--|--|--|--|
| A mm | - | 95 | 95 | 95 | | | | | |
| B mm | 44,5 | 41 | 43 | 46,5 | | | | | |
| øC pass./bore | 10 | 10 | 12,5 | 17,5 | | | | | |
| D mm | 10 | 15 | 21 | 17 | | | | | |
| E mm | 29,25 | 36,7 | 44,15 | 44 | | | | | |
| F mm | 64 | 77,5 | 92,5 | 105 | | | | | |
| G mm | 65 | - | - | - | | | | | |
| SW mm | 22 | 27 | 33 | 40 | | | | | |
| Peso/Weight gr. | 160 | 238 | 312 | 461 | | | | | |

EKO

Rubinetto a sfera curvo Angled ball cock

Art. S.0099 EKO•CHECK

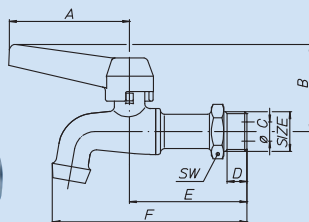


Rubinetto a sfera curvo fil. maschio con leva, nichelato **con valvola di ritegno integrata.**

Angled ball bib cock, male threaded with lever, nickel-plated, **with integrated check valve.**

| SIZE | 1/2" | | | | | | | | |
|-----------------|------|--|--|--|--|--|--|--|--|
| øA pass./bore | 10 | | | | | | | | |
| B mm | 45,5 | | | | | | | | |
| C mm | 61,2 | | | | | | | | |
| D mm | 108 | | | | | | | | |
| E mm | 57 | | | | | | | | |
| øF mm | 16 | | | | | | | | |
| G mm | 63 | | | | | | | | |
| H mm | 12 | | | | | | | | |
| SW mm | 25 | | | | | | | | |
| Peso/Weight gr. | 275 | | | | | | | | |

Art. S.0100 EKO•LUX

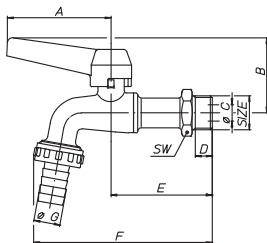


Rubinetto a sfera curvo fil. maschio con leva, cromato lucido, uso interno.

Angled ball bib cock, male threaded with lever, polished chrome-plated, internal use.

| SIZE | 1/2" | | | | | | | | |
|-----------------|-------|--|--|--|--|--|--|--|--|
| A mm | 63 | | | | | | | | |
| B mm | 45,5 | | | | | | | | |
| øC pass./bore | 10 | | | | | | | | |
| D mm | 12 | | | | | | | | |
| E mm | 61,2 | | | | | | | | |
| F mm | 101,5 | | | | | | | | |
| SW mm | 25 | | | | | | | | |
| Peso/Weight gr. | 229 | | | | | | | | |

Art. S.0101 EKO•LUX

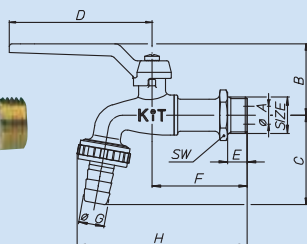


Rubinetto a sfera curvo fil. maschio con portagomma, con leva, cromato lucido, uso interno.

Angled ball bib cock, male threaded with hose connector, with lever, polished chrome-plated, internal use.

| SIZE | 1/2" | | | | | | | | |
|-----------------|------|--|--|--|--|--|--|--|--|
| A mm | 63 | | | | | | | | |
| B mm | 45,5 | | | | | | | | |
| øC pass./bore | 10 | | | | | | | | |
| D mm | 12 | | | | | | | | |
| E mm | 61,2 | | | | | | | | |
| F mm | 108 | | | | | | | | |
| SW mm | 25 | | | | | | | | |
| Peso/Weight gr. | 269 | | | | | | | | |

Art. S.0059 KIT



Rubinetto a sfera curvo fil. maschio con portagomma, con leva in alluminio blu, nichelato.

Angled ball bib cock with male thread and hose connector, with blue lever in aluminium, nickel-plated.

| SIZE | 1/2" | 3/4" | | | | | | | |
|-----------------|------|------|--|--|--|--|--|--|--|
| øA pass./bore | 10 | 12 | | | | | | | |
| B mm | 40 | 41,2 | | | | | | | |
| C mm | 58 | 59,8 | | | | | | | |
| D mm | 95 | 95 | | | | | | | |
| E mm | 11 | 13 | | | | | | | |
| F mm | 53,3 | 57,8 | | | | | | | |
| øG mm | 14,5 | 19,5 | | | | | | | |
| H mm | 95 | 109 | | | | | | | |
| SW mm | 25 | 30 | | | | | | | |
| Peso/Weight gr. | 196 | 283 | | | | | | | |