

SKYCERA®

www.skycera.com

Severe Service Valves for Severe Industries

CBA Style Ceramic Ball Valve

- Ceramics withstand severe abrasion. Offering as much as 30X that of alloy materials.
- Process media is prevented from contacting alloy body that is fully lined with structural ceramics.
- Ceramics are nearly universally chemical resistant.
- Full control options, including 4-20mA positioner and actuator.
- Multiple ANSI and DIN flange standards available. ANSI 150, 300 and 600 classes are also available.
- Ceramic seat materials are selected on an application basis. Options include Alumina, Zirconia, Silicon Carbide, and others.
- Seat and Ball are lapped together in matched sets to insure positive sealing.
- Materials are selected on an application basis. Options include Super Duplex Stainless Steel, Hastelloy, Stainless Steel, Cast steel and others.



Used in these Applications:

- Flue Gas Desulfurization (FGD)
- Slurry Control Applications
- Pneumatic transportation of powders
- Chemical Production



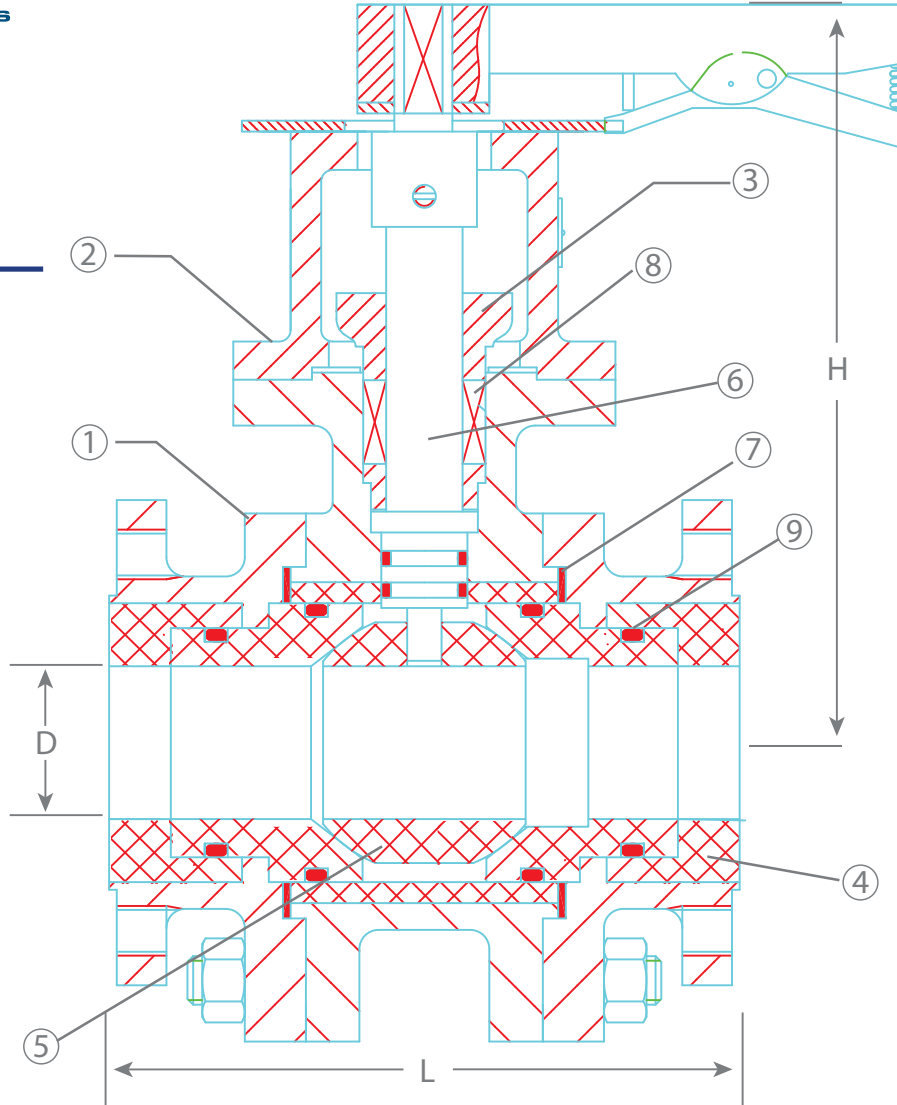
Severe Service Valves for Severe Industries

CBA Style Ceramic Ball Valve

Product Specifications

Typical Materials		
1	Body	CF8
2	Actuator Yoke	CF8
3	Packing Gland	CF8
4	Lining / Seat	Ceramic
5	Ball	Ceramic
6	Stem	Hastelloy
7	Gaskets	PTFE
8	Packing	PTFE
9	O-rings	Viton

Standard Valve	
Pressure Rating:	See Below
Temperature Rating:	400° F (204°C)
Maximum Size:	8 x 6"
Extended range units available on custom basis.	



Dimensions (Inches, Class 150)												
Size		1/2"	3/4"	1"	1 1/2"	2"	3"	4"	6 x 5"	6 x 6"	8 x 5"	8 x 6"
Face to Face	L	4.25	4.62	5.00	6.50	7.00	8.00	9.00	15.50	15.50	18.00	18.00
Special	L	2.80	3.13	3.35	4.37	4.72	6.48	7.62	9.84	9.84	11.22	11.22
Bore	D	0.50	0.75	0.98	1.58	1.97	2.56	3.15	4.92	6.00	4.92	6.00
Height	H	5.94		6.44	7.60	8.10	9.30	16.60	19.20	19.20		
Weight	lb	11.00	13.20	15.40	30.80	37.40	66.00	121.00	198.00	220.00	275.00	308.00
Full Port Cv		8	12	32	82	120	350	720	1638			
Pressure	psi	275	275	275	275	275	220	220	150	100	150	100

SKYCERA®

www.skycera.com

Severe Service Valves for Severe Industries

CBF Style Ceramic Butterfly Valve

Aggressive Slurry Control Valve

- Excellent, cost effective control valve for aggressive media.
- Eliminates characteristic problems of butterfly valves in abrasive media: disc wear.
- Ceramics materials are 6-8 times harder than most alloys.
- Ceramics are nearly universally chemical resistant.
- Full control options, including 4-20mA positioner and actuator.
- Multiple ANSI and DIN flange standards available. ANSI 150 and 300 classes are also available.
- Ceramic seat materials are selected on an application basis. Options include Alumina, Zirconia, Silicon Carbide, and others.
- Body materials are selected on an application basis. Options include Super Duplex Stainless Steel, Hastelloy, Stainless Steel, Cast steel and others.

Used in these Applications:

- FGD media control valve
- Catalyst control
- Pneumatic transport





Severe Service Valves for Severe Industries

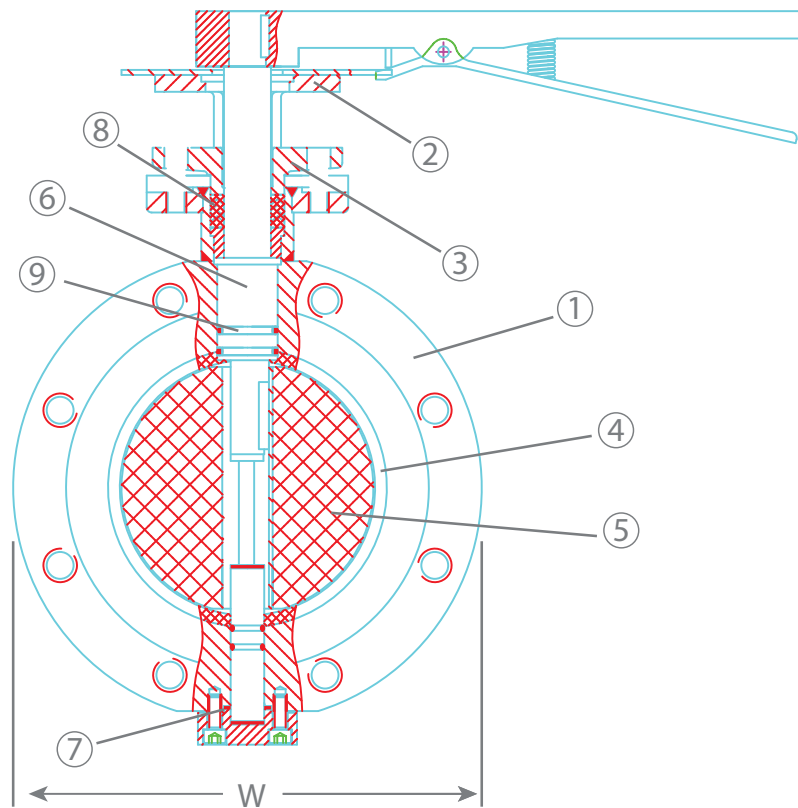
CBF Style Ceramic Butterfly Valve

Aggressive Slurry Control Valve

Product Specifications

Typical Materials		
1	Body	Carbon Steel
2	Actuator Yoke	Carbon Steel
3	Packing Gland	Carbon Steel
4	Lining / Seat	Ceramic
5	Disc	Ceramic
6	Stem	17-4
7	Gaskets	PTFE
8	Packing	PTFE
9	O-Rings	Viton

Standard Valve	
Pressure Rating:	150 psi
Temperature Rating:	390° F
Maximum Size:	12"
Extended range units available on custom basis.	



Dimensions (Inches, Class 150)								
Size		2"	3"	4"	6"	8"	10"	12"
Face to Face	L	1.625	1.75	2	2.125	2.5	2.5	3
Bore	D	2	3	4	6	8	10	12
Width	W	6.00	7.50	9.00	11.00	13.50	16.00	19.00

SKYCERA®

www.skycera.com

Severe Service Valves for Severe Industries

CPV Style Ceramic Pneumatic Valve

Ultra Fine Powder and Fly Ash Service

- Designed for use with high abrasion media, including dust, catalysts, and other small particles.
- Gate seat is spring loaded to enhance sealing effect for ultra-fine powders.
- Expansive gate cavity allows flowable product to “flow” into open areas, allowing gate to close
- Ceramic internals for abrasion resistance
- Dual seats create bi-directional sealing.
- Multiple connections available, including ANSI and DIN Standard Flanged and pipe stub ends, for seamless integration into existing systems.
- Materials are selected on an application basis. Options include Super Duplex Stainless Steel, Hastelloy, Stainless Steel, Cast Steel, and others, as required.
- Ceramic seat materials are also selected on an application basis. Options include high alumina ceramics, silicon carbide, and others.

Used in these industries:

- Power Plant Pneumatic Fly Ash Handling
- Pneumatic Aluminum oxide transport.
- Transport of Ultra-Fine Particulate



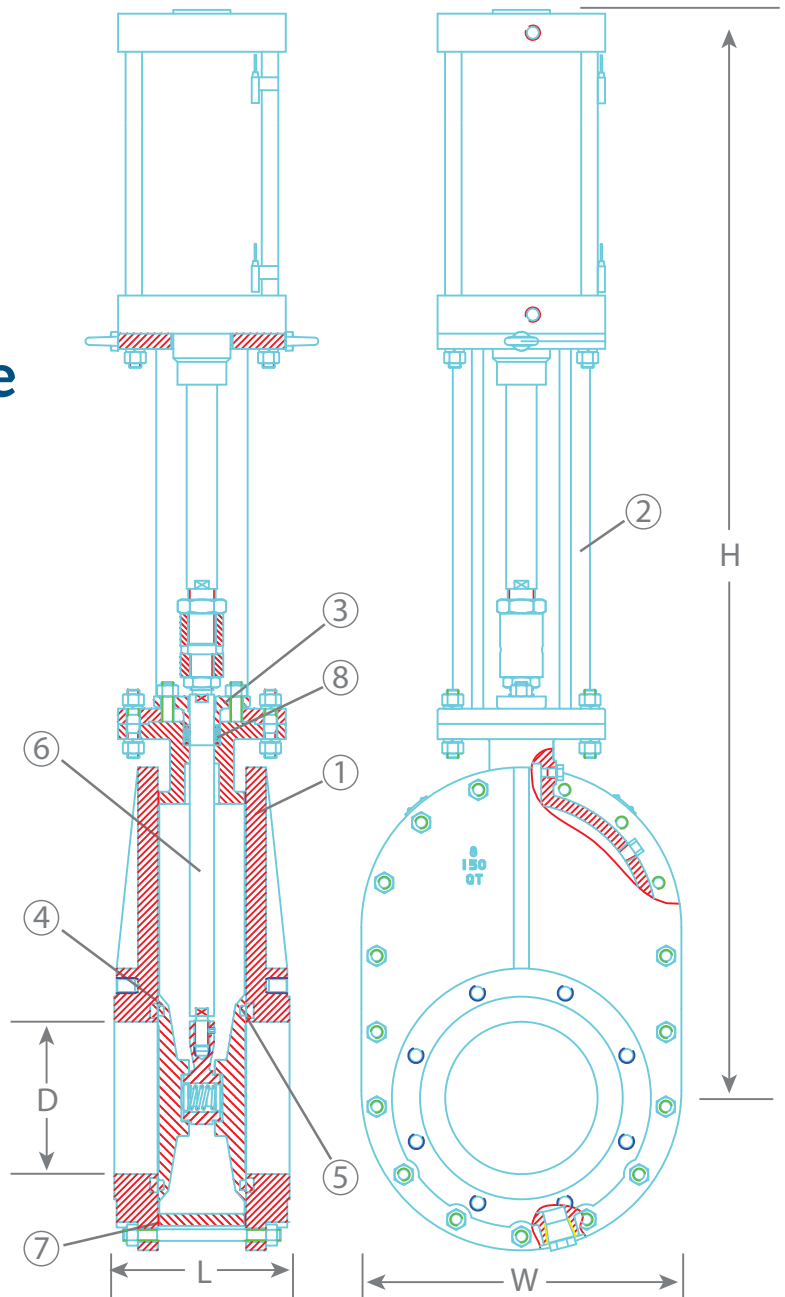
CPV Style Ceramic Pneumatic Valve

*Ultra Fine Powder and Fly
Ash Service*

Product Specifications

Typical Materials		
1	Body	WCB
2	Actuator Yoke	WCB
3	Packing Gland	WCB
4	Seat	Ceramic
5	Disc	Ceramic
6	Stem	AISI 420
7	Gaskets	PTFE
8	Packing	PTFE

Standard Valve	
Pressure Rating:	100 psi
Temperature Rating:	400° F (204° C)
Maximum Size:	12"
Extended range units available on custom basis.	



Dimensions (Inches, Class 150)

Size		2"	3"	4"	6"	8"	10"	12"
Face to Face	L	4.49	4.49	5.12	6.69	9.06	11.02	12.20
Bore	D	1.89	3.07	3.94	5.90	7.87	9.84	11.81
Height	H			36.20	46.10	56.70	74.80	63.00
Width	W	7.80	9.45	11.50	14.48	16.54	22.04	24.80
Weight	lb	77.00	99.00	154.00	264.00	334.00		

SKYCERA®

www.skycera.com

Severe Service Valves for Severe Industries

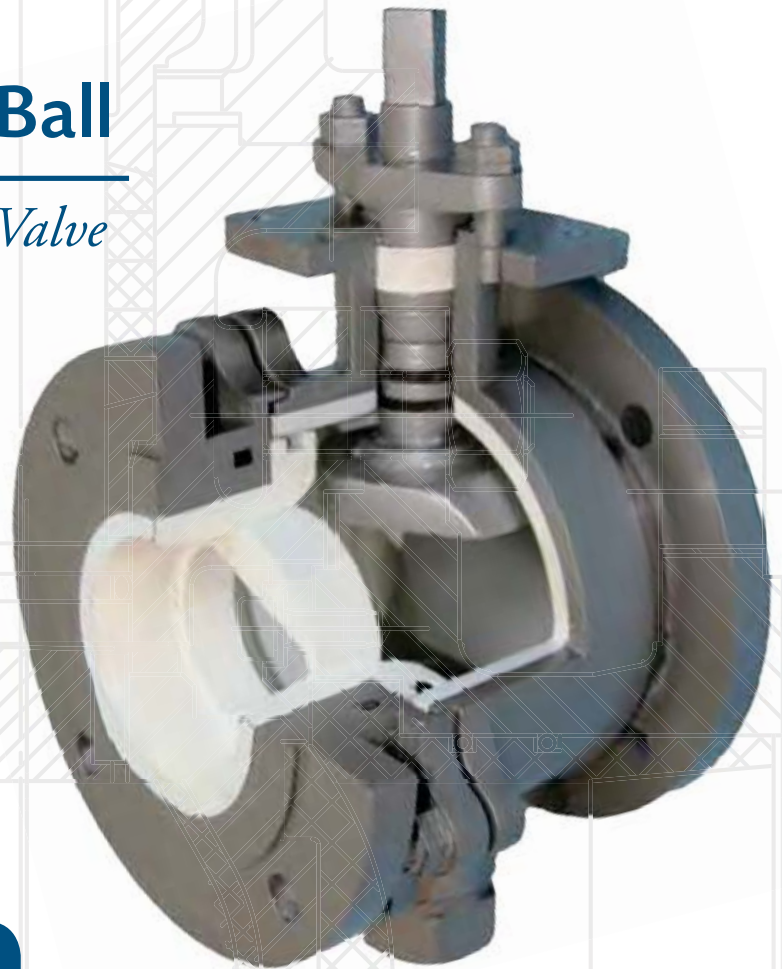
CSB Style Ceramic Segmented Ball

Segmented Ball Ceramic Seated Valve with Alloy Body

- Segmented ball design allows higher pressure capability.
- Designed with ceramic-on-ceramic seating surfaces to resist abrasive attack and maintain seat integrity.
- Many alloys available, Carbon Steel, Stainless, Hastelloy and others.
- Ideal for hopper applications due to its self-cleaning characteristic.
- The CSB valve can be designed to meet any valve specifications including ANSI, DIN and JIS.
- Reduction in extensive use of body ceramics yields a value-oriented ceramic valve.

Used in these Applications:

- High Pressure Service
- Hopper Applications
- Less corrosive, but highly abrasive applications





Severe Service Valves for Severe Industries

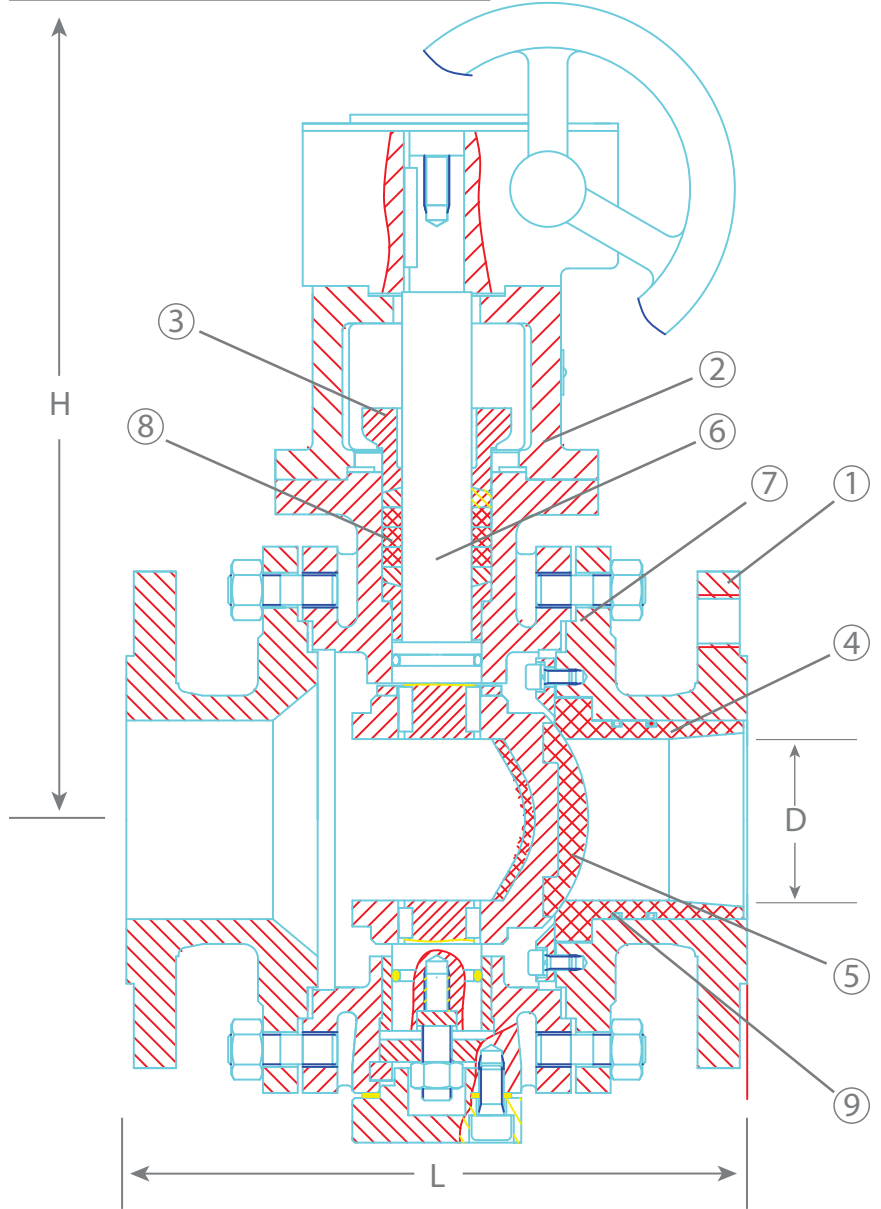
CSB Style Ceramic V Ball

Segmented Ball Ceramic Seated Valve with Alloy Body

Product Specifications

Typical Materials		
1	Body	WCB
2	Actuator Yoke	WCB
3	Packing Gland	WCB
4	Lining / Seat	Ceramic
5	Ring	Ceramic
6	Stem	AISI 420
7	Gaskets	PTFE
8	Packing	PTFE
9	O-rings	Viton

Standard Valve	
Pressure Rating:	550 psi
Temperature Rating:	300° (149° C)
Maximum Size:	12"
Extended range units available on custom basis.	



Dimensions (Inches, Class 150)

Size		1"	1 1/4"	1 1/2"	2"	2 1/2"	3"	4"	6"	8"
Face to Face	L	5.00	5.50	6.50	7.00	7.50	8.00	9.00	15.50	18.00
Bore	D	0.79	0.98	1.26	1.57	2.17	2.56	3.15	4.72	6.89
Height	H	10.08	10.67	10.98	11.57	12.05	12.95	16.81	20.28	25.98
Weight	lb	15.40	22.00	28.60	44.00	66.00	99.00	176.00	264.00	0.00

SKYCERA®

www.skycera.com

Severe Service Valves for Severe Industries

CSV Style Ceramic Slurry Valve

Severe Service Slurry Valve

- Structural ceramics are used on the valve gate and seat to resist wear, corrosion, high temperatures and thermal shock.
- Product is suitable for conveying wearing media, including dust and particles in vacuum systems.
- Dual seats create bi-directional sealing.
- Required operating power is low; manual, electric and pneumatic actuators may be used.
- Materials are selected on an application basis. Options include Super Duplex Stainless Steel, Hastelloy, Stainless Steel, Cast Steel, and others, as required.
- Multiple ANSI and DIN flange standards are available. Higher classes available.
- Typically used for on/off service
- Ceramic seat materials are also selected on an application basis. Options include high alumina ceramics, silicon carbide, and others.

Used in these Applications:

- Power Plant Bottom Ash
- Bottom ash pyrite systems
- FGD Slurry Systems
- Conveying Systems for dust, powder and slurry in mining and aluminum production





Severe Service Valves for Severe Industries

CSV Style Ceramic Slurry Valve

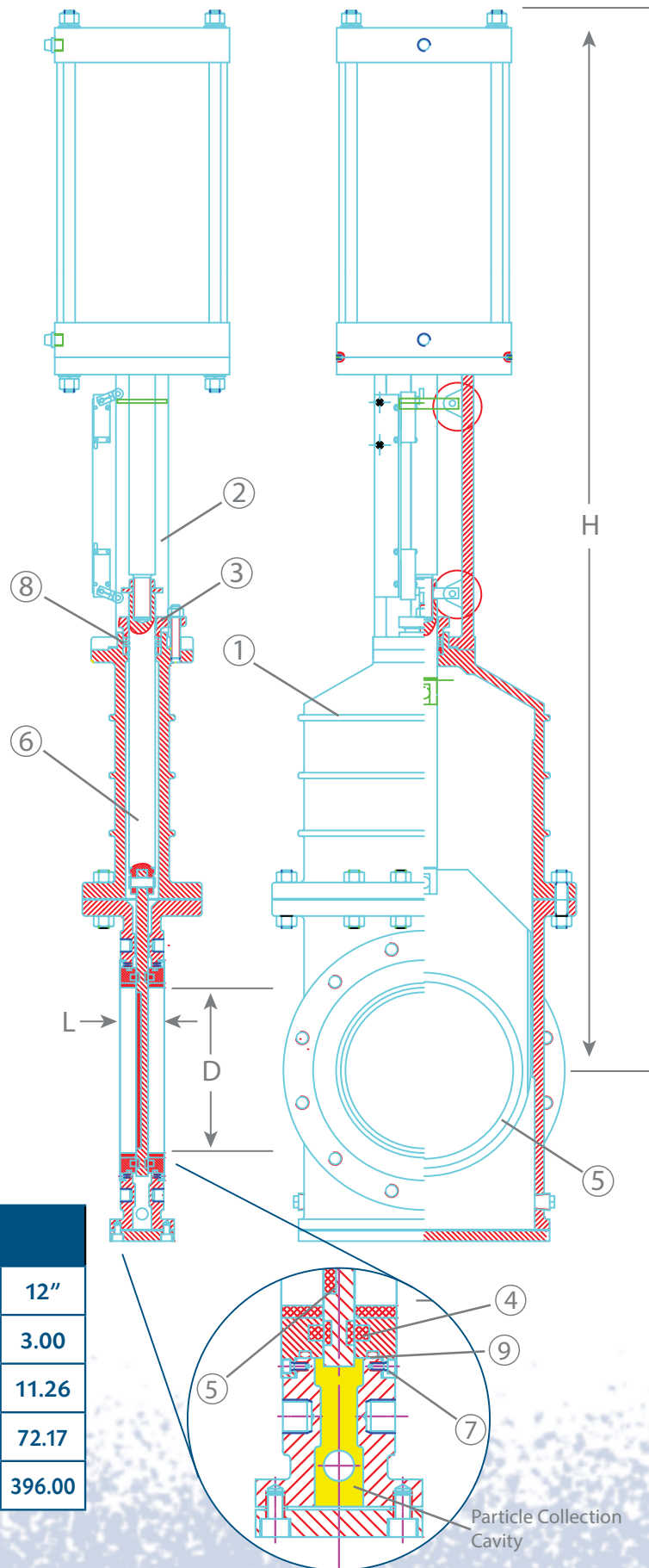
Severe Service Slurry Valve

Product Specifications

Typical Materials		
1	Body	WCB
2	Actuator Yoke	WCB
3	Packing Gland	WCB
4	Lining / Seat	Ceramic
5	Disc	Ceramic
6	Stem	AISI 420
7	Gaskets	PTFE
8	Packing	PTFE
9	O-rings	Viton

Standard Valve	
Pressure Rating:	150 psi
Temperature Rating:	400° F (204° C)
Maximum Size:	36"
Extended range units available on custom basis.	

Dimensions (Inches, Class 150)						
Size		4"	6"	8"	10"	12"
Face to Face	L	2.00	2.50	2.75	2.75	3.00
Bore	D	3.62	5.28	6.93	8.90	11.26
Height	H	38.18	42.90	53.30	58.94	72.17
Weight	lb	105.60	165.00	264.00	330.00	396.00



SKYCERA®

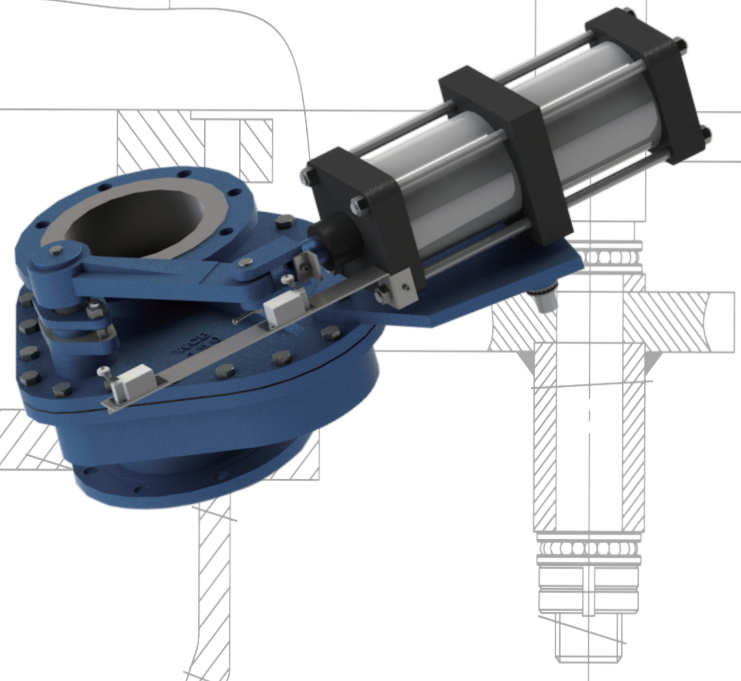
www.skycera.com

Severe Service Valves for Severe Industries

XL Style Ceramic Rotary Discharging Valve

Features:

- The disc and seat adopt high performance structural ceramic with structural ceramic to resist abrasion and scouring.
- Simple structure, small volume, easy to install, quickly on-off with short time
- Unique design of large cavity ensures the flow path, preventing from sticking and accumulation of ash residue.
- During the opening and closing, there will be shear happened between disc and seat, which can remove the residual medium and guarantee the sealing.



Applicable Working Conditions:

- Thermal power plants
- Metallurgical industry
- pharmaceutical industry and chemical industry



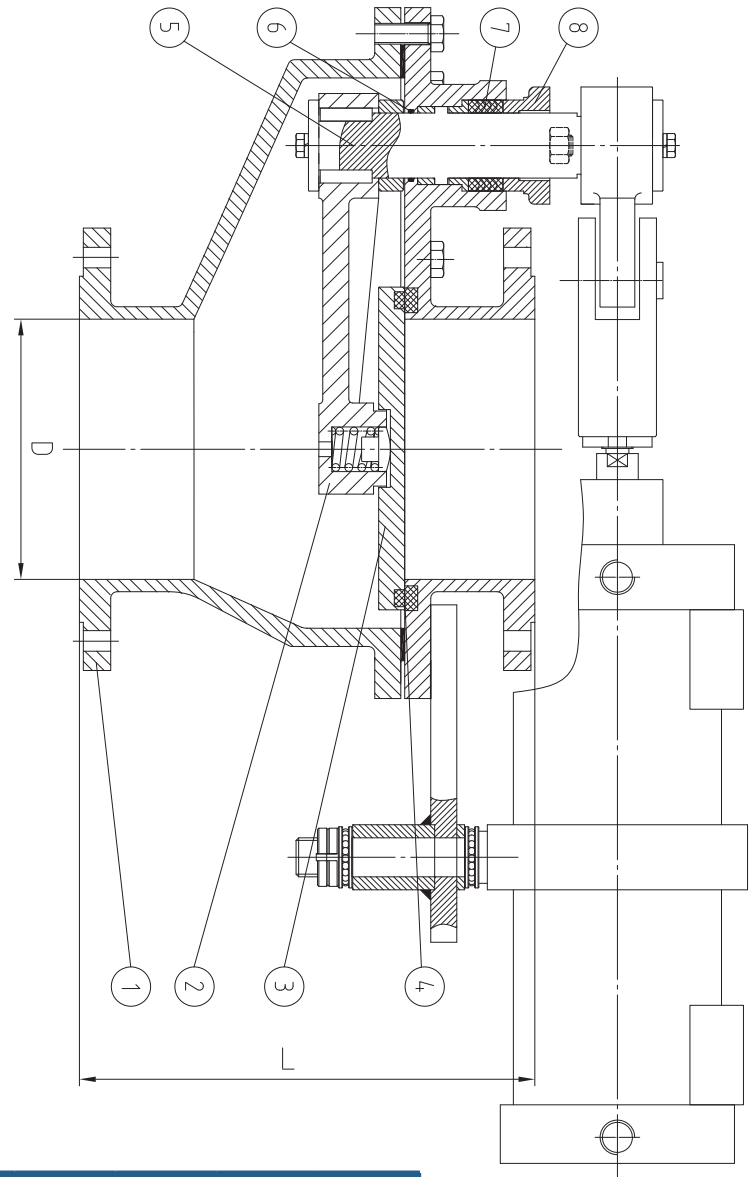
Severe Service Valves for Severe Industries

XL Style Ceramic Rotary Discharging Valve

Main Parts:

code	name	Material
1	Body	WCB
2	Arm	WCB
3	Disc	WCB/SS
4	Sealing	Ceramic
5	Stem	2Cr13
6	O ring	Viton
7	Packing	PTFE/Graphite
8	Gland	WCB

Technical Specification	
Nominal Dimension:	2-14'
Nominal Pressure:	Class150
Applicable Temp:	-40~200°C
Connection Type:	Flange
Driving Mode:	Electric/Pneumatic



Main Dimension Class150									
Size	2"	2.5"	3"	4"	5"	6"	8"	10"	12"
L mm	230	230	230	250	280	280	350	400	450
D mm	50	65	80	100	125	150	200	250	300
Weight kg	30	50	70	90	110	140	180	250	310