

SKYGERA®

www.shengkai.com

Severe Service Valves for Severe Industries

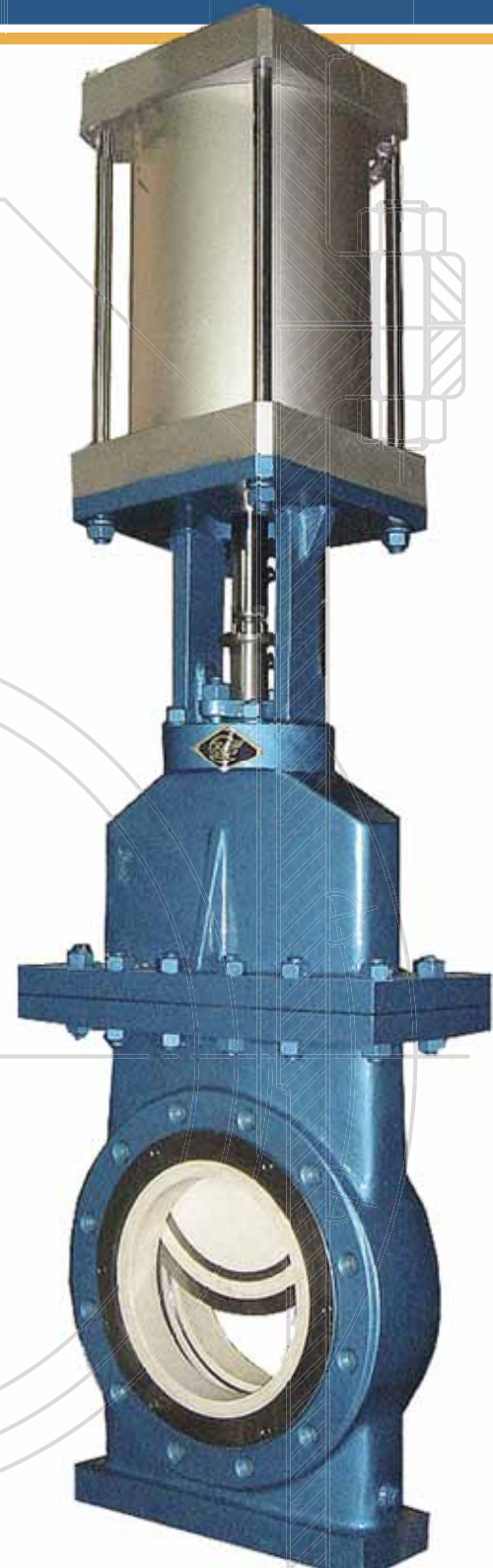
CSV Style Ceramic Slurry Valve

Severe Service Slurry Valve

- Structural ceramics are used on the valve gate and seat to resist wear, corrosion, high temperatures and thermal shock.
- Product is suitable for conveying wearing media, including dust and particles in vacuum systems.
- Dual seats create bi-directional sealing.
- Required operating power is low; manual, electric and pneumatic actuators may be used.
- Materials are selected on an application basis. Options include Super Duplex Stainless Steel, Hastelloy, Stainless Steel, Cast Steel, and others, as required.
- Multiple ANSI and DIN flange standards are available. Higher classes available.
- Typically used for on/off service
- Ceramic seat materials are also selected on an application basis. Options include high alumina ceramics, silicon carbide, and others.

Used in these Applications:

- Power Plant Bottom Ash
- Bottom ash pyrite systems
- FGD Slurry Systems
- Conveying Systems for dust, powder and slurry in mining and aluminum production





Severe Service Valves for Severe Industries

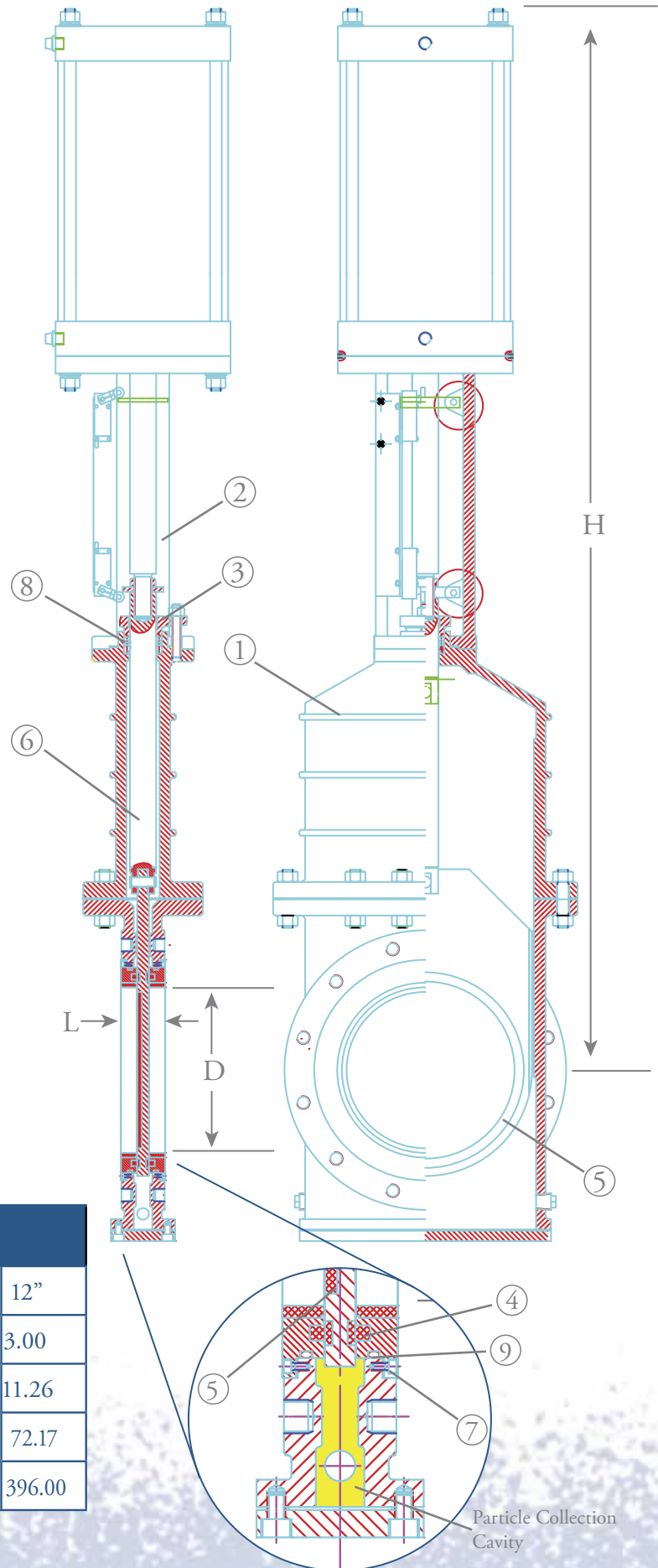
CSV Style Ceramic Slurry Valve Severe Service Slurry Valve

Product Specifications

Typical Materials		
1	Body	WCB
2	Actuator Yoke	WCB
3	Packing Gland	WCB
4	Lining / Seat	Ceramic
5	Disc	Ceramic
6	Stem	AISI 420
7	Gaskets	PTFE
8	Packing	PTFE
9	O-rings	Viton

Standard Valve	
Pressure Rating:	150 psi
Temperature Rating:	400° F (204° C)
Maximum Size:	36"
Extended range units available on custom basis.	

Dimensions (Inches, Class 150)						
Size		4"	6"	8"	10"	12"
Face to Face	L	2.00	2.50	2.75	2.75	3.00
Bore	D	3.62	5.28	6.93	8.90	11.26
Height	H	38.18	42.90	53.30	58.94	72.17
Weight	lb	105.60	165.00	264.00	330.00	396.00



• No.106 Zhonghuan South R.d, Airport Industrial Park, Tianjin, China • Tel: 86-22-58838526 • Fax: 86-22-58838555