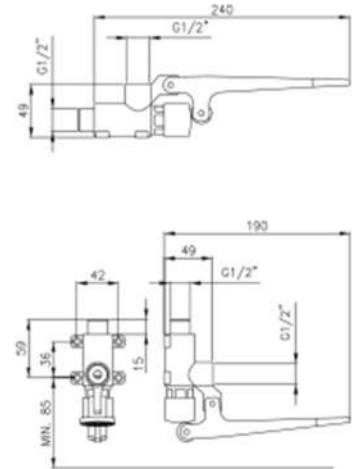


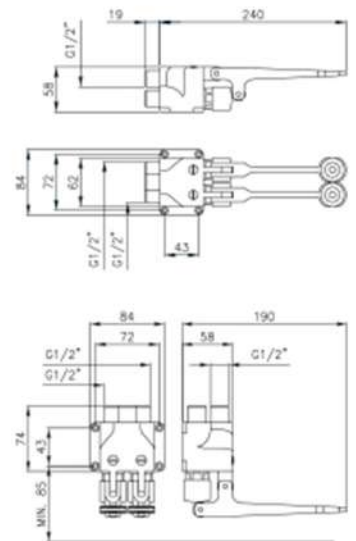
FOOT TAPS VALVE



วาล์วเท้าเหยียบ นำเข้าโดยตรงจากประเทศอิตาลี
ช่วยลดการใช้มือสัมผัส ได้รับมาตรฐานรับรองคุณภาพสูง



Art. 9057
รุ่นสำหรับ น้ำเย็นธรรมดา



Art. 9012
รุ่นสำหรับ น้ำร้อน-น้ำเย็น

ACCESSORIES



MTE LTD. (Valves Strategic Business Unit)

104/2 Sukhaphiban 2 Road, Prawet District, Bangkok 10250 Thailand

www.valvemte.com | Tel : 02 329 2001 | Line : @valvemte | valves@mte.co.th



DIMENSIONS



CODE

9057 FLOOR

SERIE

Pedal/Foot operated taps.

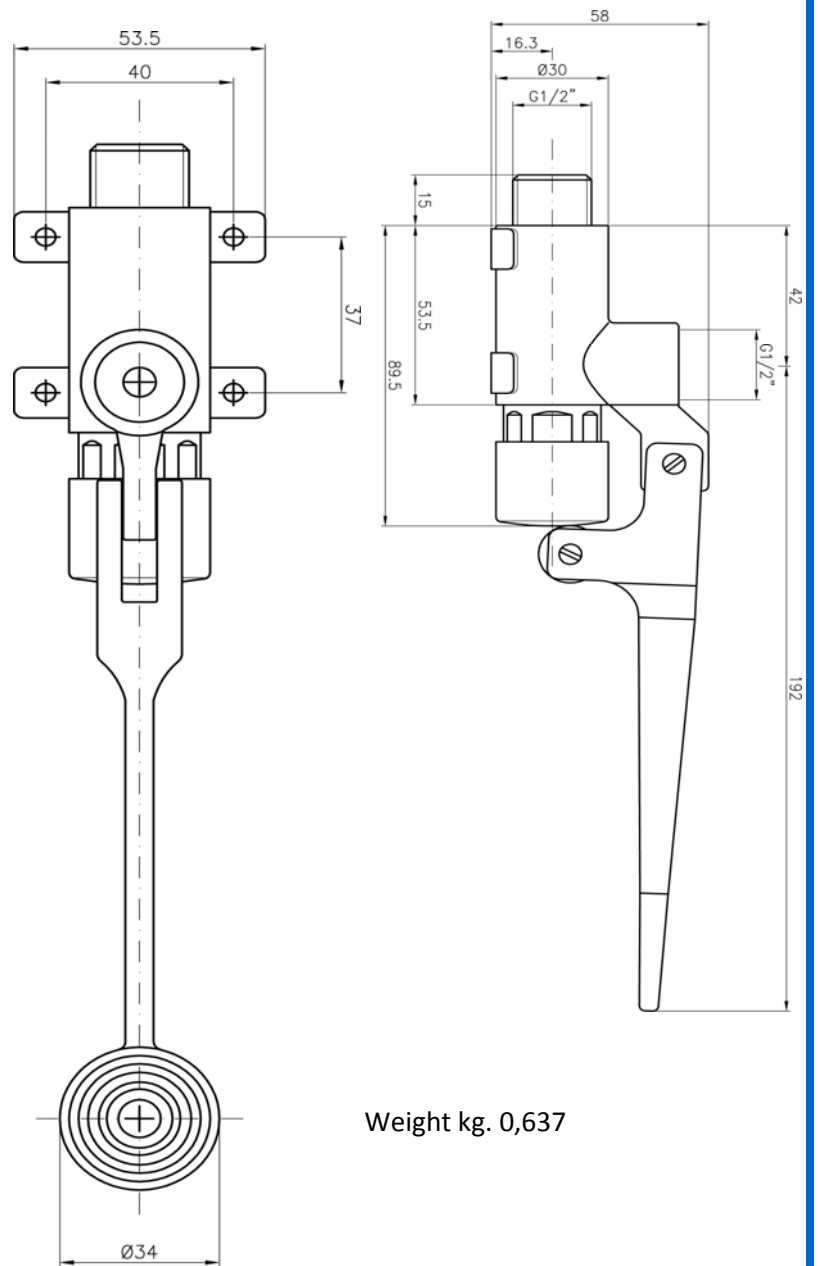
DESCRIPTION

Self closing treadle drive tap for floor installation.

Standard opening time 3"

PRODUCT COMPOSITION

<u>MATERIAL</u>	<u>FINISHING</u>
Brass	Chromed



APPLICATION MODALITIES

Cleaning only with water and soft cloth, avoiding abrasives and acids.

LIFE PERIOD: If used correctly, the product will have a long durability such the manufacture material.

USE A FILTER TO THE POWER OUTLET



DIMENSIONS



CODE

9057WALL

SERIES

Pedal/Foot operated taps.

DESCRIPTION

Self closing treadle drive tap for wall installation.

Standard opening time 3"

PRODUCT COMPOSITION

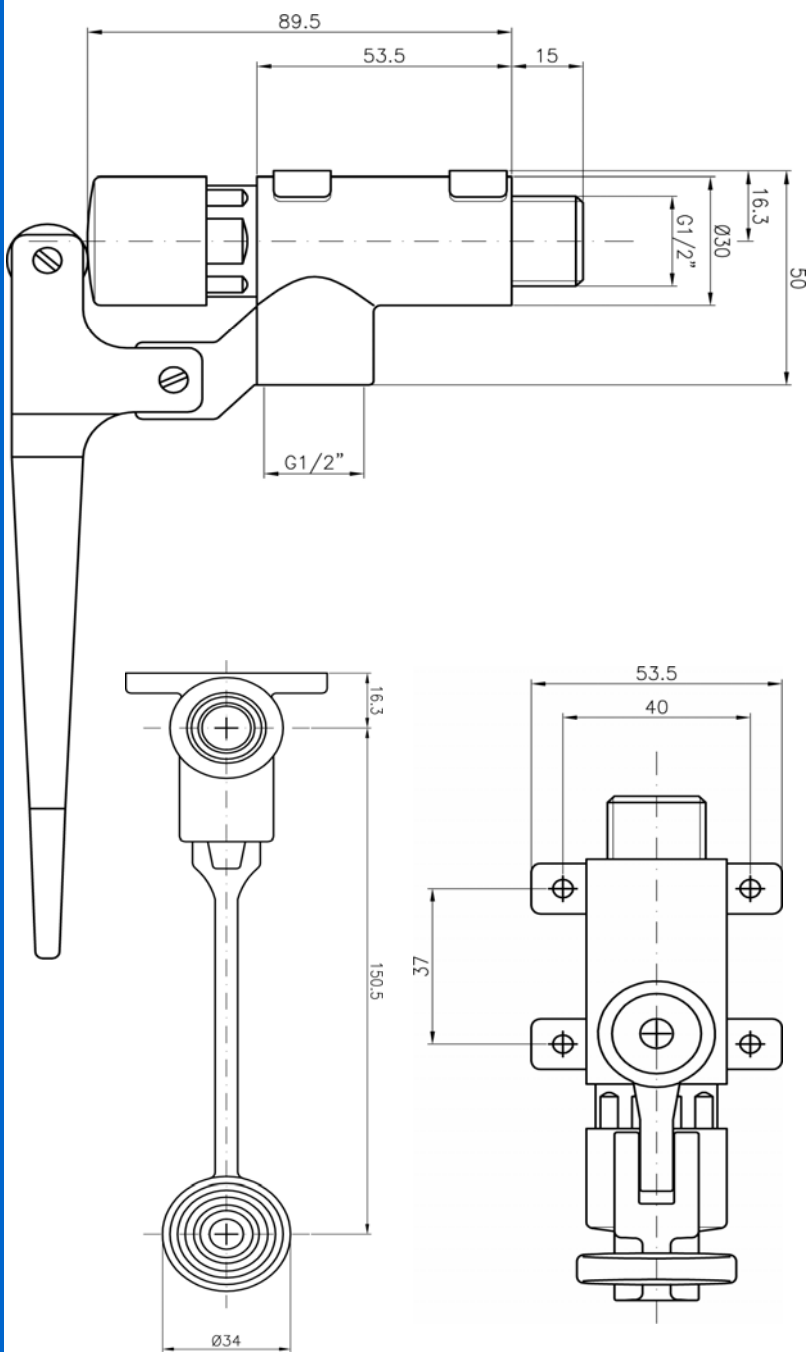
MATERIAL

Brass

FINISHING

Chromed

USE A FILTER TO THE POWER OUTLET



Weight kg. 0,637

APPLICATION MODALITIES

Cleaning only with water and soft cloth, avoiding abrasives and acids.

LIFE PERIOD: If used correctly, the product will have a long durability such the manufacture material.



LEVA
Lever
Lever

Descrizione / Description / Description

Rubinetto temporizzato con comando a ginocchio

Self closing tap knee control

Robinet tempore avec controle a genou

Materiali / Materials / Matériels

Componenti in finitura
Finishing components
Composants en finision

Ottone/Brass/Laiton

Componenti torniti
Machined components
Composants tournés

Ottone/Brass/Laiton

Guarnizioni
Gaskets
Joints

EPDM

Componenti plastica
Plastic components
Composants en
plastique

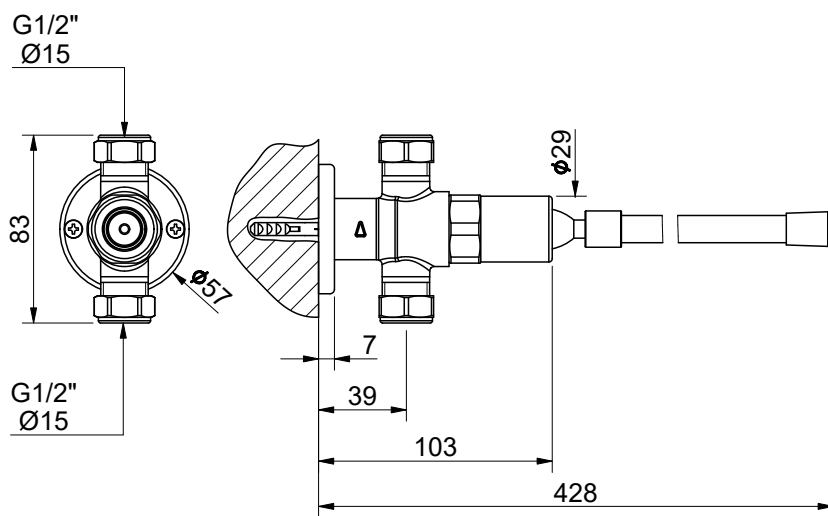
POM

Finitura superficiale
Surface finishing
Finition de la surface

Conforme/According/Conformément EN 248

In accordo alla EN 9227 in merito all'aggressione salina
According to EN 9227 regarding saline aggression
Conformément à la norme EN9227 concernant l'agression saline

Immagine / Picture / Image



Caratteristiche / Features

5 - 70 °C

15 l/min (3 bar)

Min 0.5 - Max 6 (Recommended 2-4) bar

RUBINETTERIE MCM Int. S.r.l.
via dell'Acacia, 54/56 - 28021 Borgomanero (NO)
Tel : +39 0322 843060 - Fax : +39 0322 831613
E-mail : info@mcmtaps.it - web : www.mcmtaps.it
P IVA : IT017877240033



Art. 9100

1910000R00CR00000 1



100% Made in Italy



15 Years Warranty

La società si riserva il diritto di modificare le caratteristiche tecniche del prodotto senza preavviso. The company reserves the right to modify the technical characteristics of the product without notice. La société se réserve le droit de modifier les caractéristiques techniques du produit sans préavis.



DIMENSIONS



CODE

9012 FLOOR

SERIE

Pedal/Foot operated taps.

DESCRIPTION

Self closing treadle MIXER for floor installation.

Standard opening time 3"

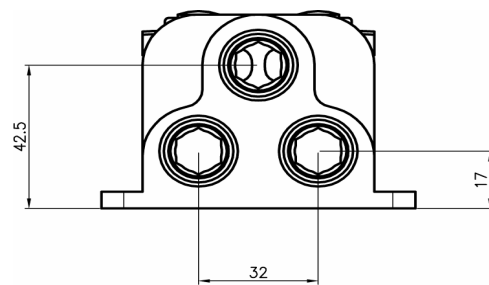
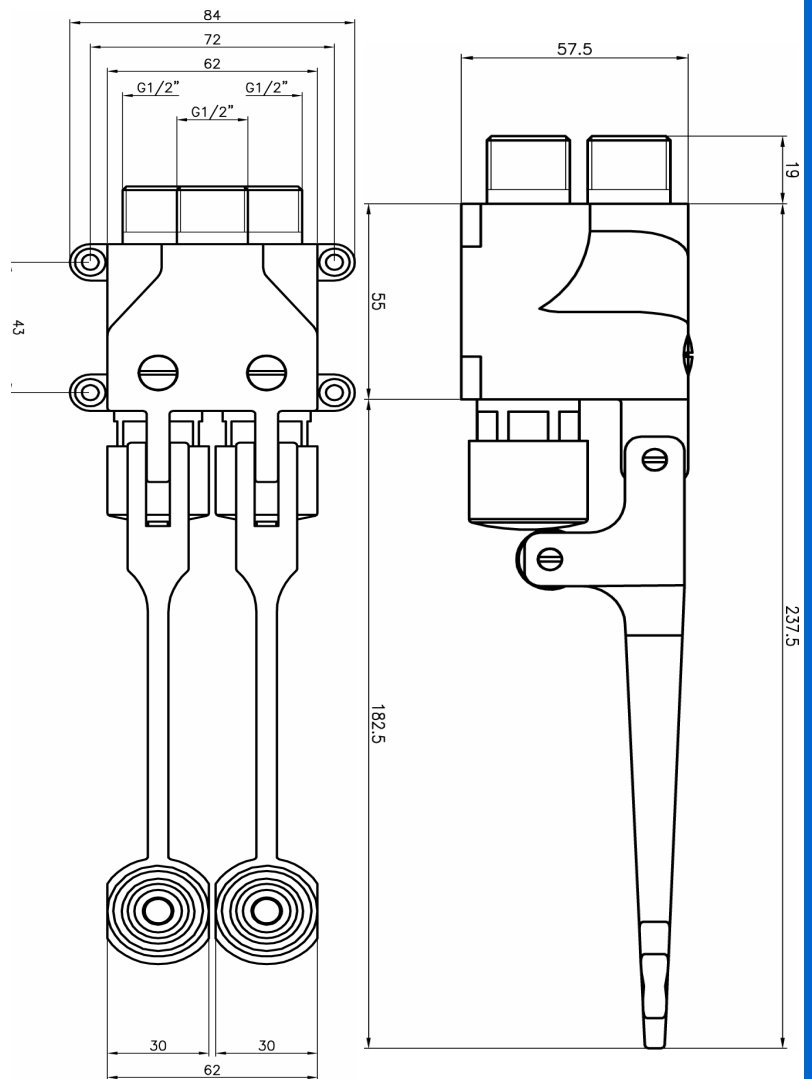
PRODUCT COMPOSITION

MATERIAL

Brass

FINISHING

Chromed



Weight kg. 1,880

APPLICATION MODALITIES

Cleaning only with water and soft cloth, avoiding abrasives and acids.

LIFE PERIOD: If used correctly, the product will have a long durability such the manufacture material.

USE A FILTER TO THE POWER OUTLET



DIMENSIONS



CODE

9012 WALL

SERIE

Pedal/Foot operated taps.

DESCRIPTION

Self closing treadle MIXER for wall installation.

Standard opening time 3"

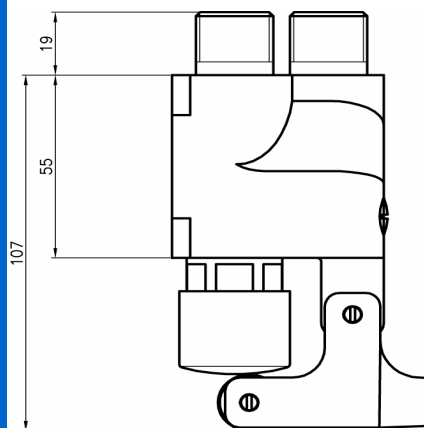
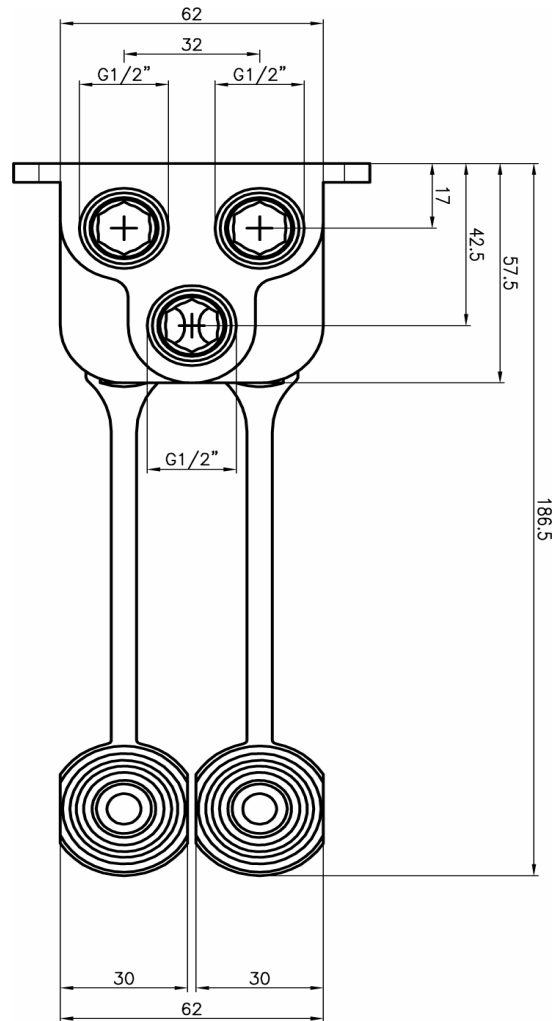
PRODUCT COMPOSITION

MATERIAL

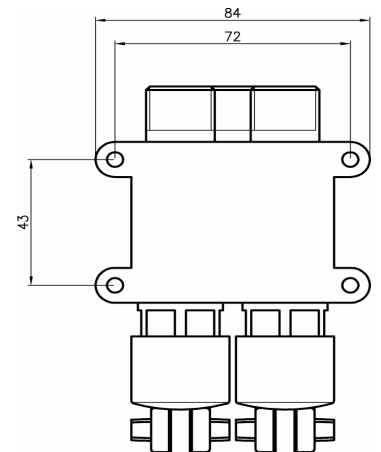
Brass

FINISHING

Chromed



Weight kg. 1,880



APPLICATION MODALITIES

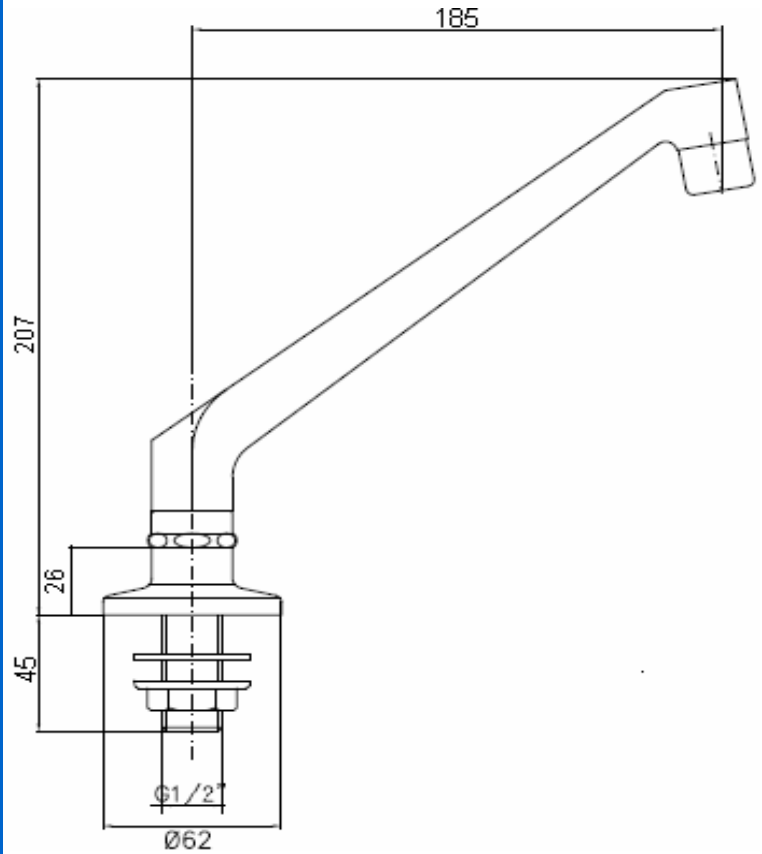
Cleaning only with water and soft cloth, avoiding abrasives and acids.

LIFE PERIOD: If used correctly, the product will have a long durability such the manufacture material.

USE A FILTER TO THE POWER OUTLET



DIMENSIONS



CODE

9015

SERIES

Spout

DESCRIPTION

Movable spout for washbasin.

PRODUCT COMPOSITION

MATERIAL

Brass

FINISHING

Chromed

Weight kgs 0,649

APPLICATION MODALITIES

Cleaning only with water and soft cloth, avoiding abrasives and acids.

LIFE PERIOD: If used correctly, the product will have a long durability such the manufacture material.

Descrizione / Description / Description

Bocca erogazione fusa a parete
Wall fused spout
Bec erogation fondu au plancher

Componenti in finitura

Finishing components
Composants en finision

Ottone/Brass/Laiton (EN12164 EN12165)

Componenti torniti

Machined components
Composants tournés

Ottone/Brass/Laiton (EN12164 EN12165)

Guarnizioni

Gaskets
Joints
EPDM

Componenti plastica

Plastic components
Composants en plastique

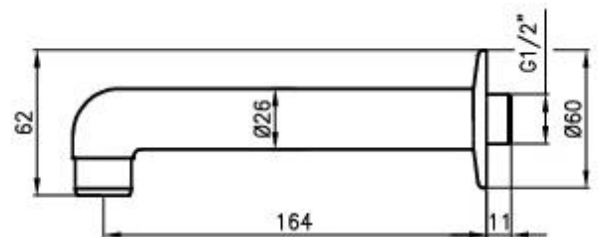
POM

Finitura superficiale

Surface finishing
Finition de la surface

Conforme/According/Conformément EN 248

In accordo alla EN 9227 in merito all'aggressione salina
According to EN 9227 regarding saline aggression
Conformément à la norme EN9227 concernant l'agression saline



Caratteristiche / Features / Caractéristiques

 5-70 °C
  21 l/min (3 bar)

 Min 0,5 bar- Max 6 bar
  G1/2"

 2-4 bar Consigliata / Recommended / Recommandé



100% Made in Italy



Water saving up to 85%



15 Years Warranty



Art.9014

Wall fused spout for basin tap

Material:

- Spout in chromed brass plated brass conform to EN 1982, EN 12164, EN 12165 standards

Reference standard:

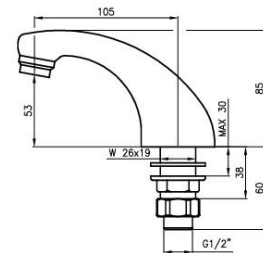
EN 816:2017

Features:

- Timing in conformity with EN 816
- Resistance to saline aggression 200h conformity to EN ISO 9227 standard

Notes:

- Use a filter upstream of the system
- Cleaning only with water and soft cloth avoiding acids and abrasives



15 anni



Water saving up to 85%



MADE IN ITALY

www.mcmtaps.it