

Test and specification

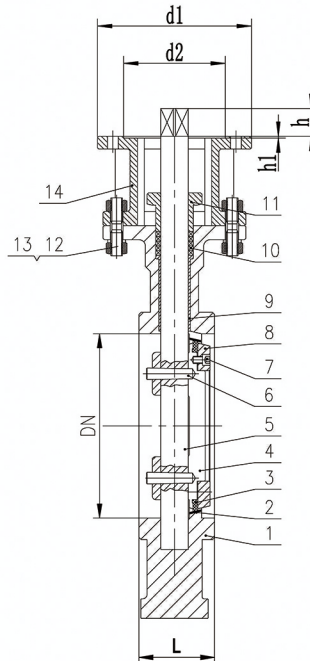
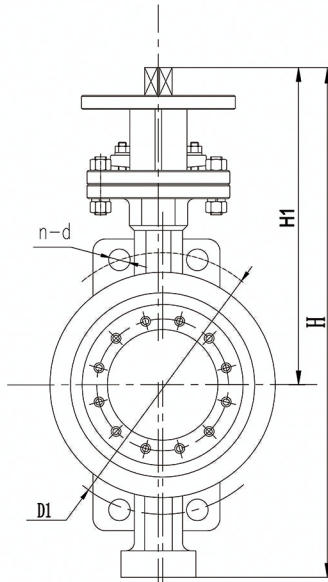
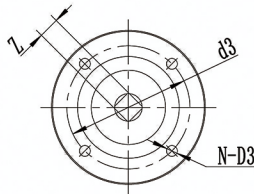
Nominal pressure	PN10
Shell test	1.5MPa
Seal test	1.1MPa
Air test	0.6MPa
Medium	Nature gas, Gas, Water, Steam, Oil, etc
Temperature	-29~425° C

Standards

1. Design and manufacture as DIN2559-2007
2. Test and inspection as EN12266-1.
3. End to End as EN 558-1.
4. Flange dimension as EN1092-1: 2001

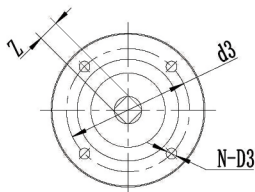
DN	ISO3211	d1	d2	d3	N-D3	Z	h1	h
50	F07	90	55	70	4-10	14*14	4	15
65	F07	90	55	70	4-10	14*14	4	15
80	F07	90	55	70	4-10	14*14	4	15
100	F07	90	55	70	4-10	14*14	4	15
125	F10	125	70	102	4-12	17*17	4	20

DN	L	D1	n-d	H1	H
50	43	125	4-18	200	272
65	46	145	8-18	225	335
80	49	160	8-18	240	355
100	56	180	8-18	255	385
125	64	210	8-18	305	455



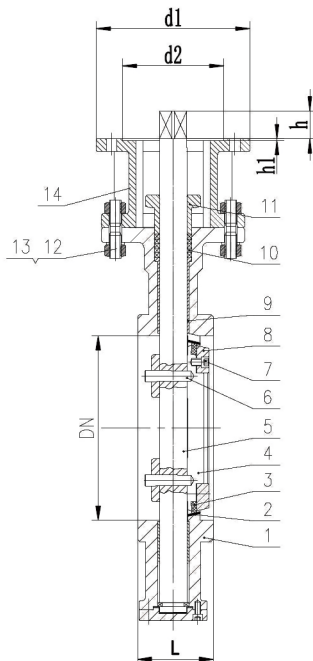
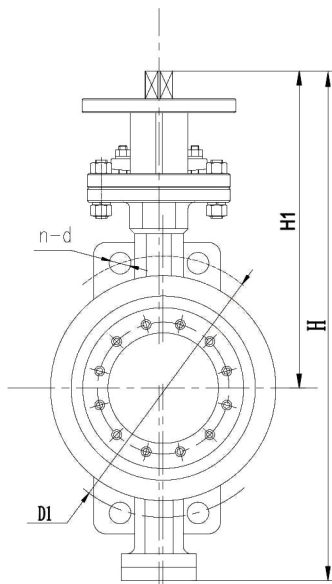
14	Yoke	WCB
13	Nut	A194 2H
12	Bolt	A193 B7
11	Gland	WCB
10	Packing	Graphite
9	Bushing	304+nitriding
8	Bonnet	A105
7	hexagon socket screw	A193 B7
6	Pin	F6a
5	Stem	F6a
4	Disc	WCB
3	Sealing	304+Graphite
2	Body Surface	Overlaid 304
1	Body	WCB
No.	Part Name	Material

Design		Date		  Three eccentric butterfly valve	



DN	d1	d2	d3	N-B3	Z	h1	h	
150	F10	125	70	102	4-12	22*22	4	25
200	F12	150	85	125	4-14	22*22	4	25
250	F12	150	85	125	4-14	27*27	4	30
300	F14	175	100	140	4-18	27*27	5	30

DN	L	D1	n-d	H1	H
150	70	240	8-22	325	490
200	71	295	8-22	380	590
250	76	350	12-22	410	655
300	83	400	12-22	460	740





Test and specification

Nominal pressure	PN10
Shell test	1.5MPa
Seal test	1.1MPa
Air test	0.6MPa
Medium	Nature gas, Gas, Water, Steam, Oil, etc
Temperature	-29~425° C

Standards

1. Design and manufacture as DIN2559-2007
2. Test and inspection as EN12266-1.
3. End to End as EN 558-1.
4. Flange dimension as EN1092-1: 2001

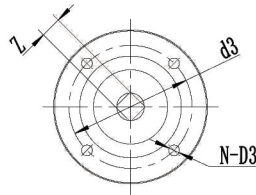
14	Yoke	WCB
13	Nut	A194 2H
12	Bolt	A193 B7
11	Gland	WCB
10	Packing	Graphite
9	Bushing	304+nitriding
8	Bonnet	A105
7	hexagon socket screw	A193 B7
6	Pin	F6a
5	Stem	F6a
4	Disc	WCB
3	Sealing	304+Graphite
2	Body Surface	Overlaid 304
1	Body	WCB
No.	Part Name	Material

		
Design		Three eccentric butterfly valve
Date		D073H-10C

Test and specification

Nominal pressure	PN10
Shell test	1.5MPa
Seal test	1.1MPa
Air test	0.6MPa
Medium	Nature gas, Gas, Water, Steam, Oil, etc
Temperature	-29~425° C

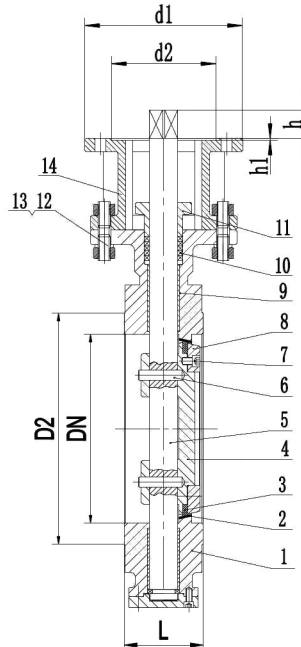
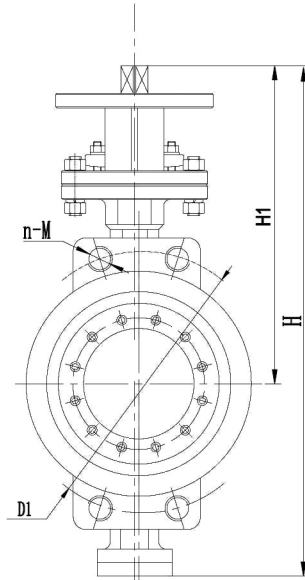
DN (mm)	d1	d2	d3	N-D3	Z	hi	h
350	F16	210	130	165	4-22	30*30	6 35
400	F16	210	130	165	4-22	36*36	6 40
450	F16	210	130	165	4-22	40*40	6 50
500	F25	300	200	254	8-18	46*46	6 50
600	F25	300	200	254	8-18	46*46	6 50



DN	L	D1	N-M	H1	H
350	92	460	16-M20	525	840
400	102	515	16-M24	545	890
450	114	565	20-M24	630	1010
500	127	620	20-M24	650	1065
600	154	725	20-M27	680	1140

Standards

1. Design and manufacture as DIN2559-2007
2. Test and inspection as EN12266-1.
3. End to End as EN 558-1.
4. Flange dimension as EN1092-1: 2001



14	Yoke	WCB
13	Nut	A194 2H
12	Bolt	A193 B7
11	Gland	WCB
10	Packing	Graphite
9	Bushing	304+nitriding
8	Bonnet	A105
7	hexagon socket screw	A193 B7
6	Pin	F6a
5	Stem	F6a
4	Disc	WCB
3	Sealing	304+Graphite
2	Body Surface	Overlaid 304
1	Body	WCB
No.	Part Name	Material

Design	Date			Three eccentric butterfly valve